



CARRYALL 1500 AWD GASOLINE Operators Manual



**APPLICABLE TO CARRYALL 1500 AWD FH680D GASOLINE
VEHICLES WITH SERIAL PREFIX OF RC**



INTRODUCTION

VEHICLE OWNERSHIP

Congratulations! The Club Car brand is widely recognized as the industry leader in vehicle efficiency and long-lasting value. Read, understand, and obey the technical content in this manual to protect your investment and provide years of reliable vehicle operation.

Read, understand, and obey all instructions and safety precautions in this manual to prevent the risk of personal injury or property damage.

Club Car recommends owners that rent or loan vehicles make sure operators read this manual before vehicle operation.

Club Car recommends owners register their vehicles immediately after purchase. The previous owner must include this manual with the vehicle when sold to a new owner. Registration of the vehicle will make sure Club Car is able to communicate necessary information directly to owners. Send your name, address, and serial number of the vehicle to:

Club Car, LLC
Attention: Vehicle Registration
P.O. Box 204658
Augusta, Georgia 30917-4658
United States Of America

CALIFORNIA PROPOSITION 65

 **WARNING**

OPERATING, SERVICING AND MAINTAINING A PASSENGER VEHICLE OR OFF-ROAD VEHICLE CAN EXPOSE YOU TO CHEMICALS INCLUDING ENGINE EXHAUST, CARBON MONOXIDE, PHTHALATES, AND LEAD, WHICH ARE KNOWN TO THE STATE OF CALIFORNIA TO CAUSE CANCER AND BIRTH DEFECTS OR OTHER REPRODUCTIVE HARM. TO MINIMIZE EXPOSURE, AVOID BREATHING EXHAUST, DO NOT IDLE THE ENGINE EXCEPT AS NECESSARY, SERVICE YOUR VEHICLE IN A WELL-VENTILATED AREA AND WEAR GLOVES OR WASH YOUR HANDS FREQUENTLY WHEN SERVICING YOUR VEHICLE. FOR MORE INFORMATION GO TO WWW.P65WARNINGS.CA.GOV/PASSENGER-VEHICLE.

APPROVED DEALERS AND DISTRIBUTORS

Club Car's customer support system offers fast and courteous service. Speak with your dealer or distributor for:

- Accessories
- Publications
- Replacement Parts
- Technical Advice
- Warranty Work



To find your nearest dealer or distributor:

- Visit www.clubcardealer.com
- Scan the dealer locator Quick Response (QR) code

COMPANY CONTACT INFORMATION

Send written correspondence to:

Club Car, LLC
Attention: Marketing Services
P.O. Box 204658
Augusta, Georgia 30917-4658
United States Of America

SATISFACTION AND FEEDBACK

Let your voice be heard!

Your feedback will help improve our publications. You can access the survey through any internet-connected device with a web browser. The survey is available in many different languages.

Scan the Quick Response (QR) code or type the web address <http://bit.ly/1w9uFMh> to complete the survey.



NOTICES

VEHICLE MODEL AND SERIAL NUMBER

The vehicle serial number is located on a bar code decal installed near the accelerator.

1. A two-letter code that identifies the vehicle model.
2. A four-digit code that identifies the model year and production week the vehicle was assembled.
3. A unique six-digit number given to each vehicle built within a specified model year.



PRODUCT INFORMATION NUMBER

The Product Information Number (PIN) is located below the seat on the driver-side.

ROLL-OVER PROTECTIVE STRUCTURE SERIAL NUMBER

The Roll-Over Protective Structure (ROPS) serial number is located behind the seat back on the driver-side.

LIABILITY AND VEHICLE DESIGN CHANGES

Club Car is not liable for errors in this manual or for incidental or consequential damages that result from the use of the material in this manual.

Club Car reserves the right to make design changes to vehicles without obligation to make these changes on units previously sold.

This manual is the original instructions provided by the manufacturer if in English. This manual is a translation of the original instructions if in any language other than English.

VEHICLE MODIFICATIONS



MODIFICATIONS OR CHANGES TO THE VEHICLE THAT AFFECT THE OCCUPANT RETENTION, ELECTRICAL SYSTEM, STABILITY OR HANDLING OF THE VEHICLE, OR INCREASES THE MAXIMUM VEHICLE SPEED CAN CAUSE SERIOUS PERSONAL INJURY OR DEATH.



THE FUEL SYSTEM AND ENGINE ON YOUR VEHICLE ARE DESIGNED AND BUILT TO GOVERNMENT EMISSIONS STANDARDS. TAMPERING BY DEALERS, CUSTOMERS, OPERATORS, AND USERS IS STRICTLY PROHIBITED BY LAW. FAILURE TO COMPLY COULD RESULT IN GOVERNMENT FINES, REWORK CHARGES, INVALID WARRANTY, LEGAL ACTION, AND POSSIBLE CONFISCATION OF THE VEHICLE UNTIL REWORK TO ORIGINAL CONDITION IS COMPLETED. ENGINE SERVICE AND REPAIRS MUST BE DONE BY A TRAINED TECHNICIAN ONLY.

NOTICE

MODIFICATIONS TO THE GOVERNOR WILL VOID THE WARRANTY AND DAMAGE THE ENGINE AND OTHER COMPONENTS. DO NOT MODIFY THE GOVERNOR.

MODIFICATIONS TO THE VEHICLE MUST NOT COMPROMISE COMPLIANCE WITH STATE OR FEDERAL REGULATIONS.

THE DRIVER-SIDE FRAME IS PART OF THE AIR INTAKE SYSTEM. MODIFICATIONS TO THE FRAME CAN DAMAGE THE ENGINE BY CONTAMINATING THE AIR INTAKE SYSTEM. DO NOT DRILL INTO THE DRIVER-SIDE OF THE FRAME.

Modifications made to vehicles or installation of accessories that are not approved by Club Car may adversely affect the safe operation and performance of the vehicle. These modifications include, but are not limited to lift kits, seating changes, increased speed and cargo capacity. Club Car does not recommend any modification of this vehicle except kits and upgrades specifically designed and offered by Club Car. However, if the vehicle is modified, the modifier shall:

1. arrange for the modification to be designed, tested and implemented by an engineer with expertise in vehicles and their safety;
2. maintain a permanent record of the design, testing and implementation of the modification;
3. make appropriate changes to the capacity, plate(s), decals, and operation and maintenance manuals; and
4. apply a permanent and readily visible label on the vehicle stating the vehicle has been modified with the date of the modification and the name of the entity that made the modification.

The entity making any modification becomes the original equipment manufacturer of the modified vehicle, assumes liability for the vehicle, and has the responsibilities listed above.

Modifications may void the warranty. Refer to the warranty for more details.

VEHICLE WARRANTY

Warranty information is located in the warranty section of this manual. No other expressed or implied warranties are contained herein.

Your dealer or distributor examined the vehicle before it was delivered to you. The dealer or distributor will also supply you a copy of the completed vehicle warranty registration form.

GOVERNMENTAL AND INDUSTRY STANDARDS

U.S.A. FEDERAL VEHICLE SAFETY STANDARDS

The configuration of this vehicle does not comply with United States Of America Federal Motor Vehicle Safety Standards (FMVSS) for automobiles and FMVSS 500 for low-speed vehicles as it existed on the date the vehicle was shipped from the Club Car manufacturing facility.

CANADIAN STANDARD ICES-002

This vehicle complies with CAN ICES-2 / NMB-2 as it was on the date the vehicle was shipped from the Club Car manufacturing facility.

PUBLICATION COPYRIGHT

This manual contains proprietary information that is protected by copyright. All rights are reserved. Express written consent of Club Car, LLC is necessary to photocopy, replicate, or translate this manual. The information contained in this publication is subject to change without notice.

CONTENTS

INTRODUCTION	I
---------------------------	----------

NOTICES	III
----------------------	------------

SECTION 1 – SAFETY INFORMATION	9
---	----------

General Safety Information	10
Note To The Owner	10
Practice Safety.....	10
Safety Signal Words	10
Safety Committee	11
Vehicle Safety Information.....	11
Vehicle Safety And Compliance Decals.....	13
Vehicle Safety Features	16
Multi-Purpose Buzzer	16
Roll-Over Protective Structure.....	17
Cargo Cage Headrest Adjustment	18
Falling Object Protection System.....	18
Seat Belts.....	18
Battery Safety Information	21
Battery International Safety Symbols	22
Lead-Acid Battery Recycling	22

SECTION 2 – INDICATORS, GAUGES, AND DISPLAYS	25
---	-----------

Indicator, Gauge, And Display Locations	26
Fuel Gauge/Hour Meter	26
Low Oil Warning Light	26
Park Brake Indicator Light.....	27

SECTION 3 – VEHICLE CONTROLS.....	29
--	-----------

Vehicle Controls Locator	30
Accelerator Pedal	31
Brake Pedal	31
Choke	31
Electric Bed Lift Switch	31
Fan Switch.....	32
Forward / Neutral / Reverse Control	32
Hazard Light Switch.....	32
Headlight Switch.....	33
Horn.....	33
IntelliTrak Switch	33
Key Switch.....	33
Park Brake.....	34
Park Brake Release	34
Steering Column Adjustment Lever.....	34
Turn Signal Lever	35
Windshield Wiper Switch	35
Modular Cab Controls	35
Defrost And Heater Switch.....	35
Dome Light Switch	35
Lower Dash Fan Switch	36
Strobe Light Switch	36
Upper Cab Fan Switch	36
Windshield Washer Switch	37

SECTION 4 – VEHICLE FEATURES.....	39
Vehicle Features Description	40
Bucket Seats	40
Driver Seat Adjustment	40
Passenger Seat Adjustment.....	40
Electric Bed Lift	41
Description	41
Capacity	41
Operation	41
IntelliTrak System.....	42
Modular Cab	42
Mud Tire Option	42
Tilt Cargo Bed.....	42
Description	42
Operation.....	43
12-Volt Power Receptacle.....	44
Winch	44
SECTION 5 – VEHICLE SPECIFICATIONS.....	45
Dimensions	46
Performance.....	46
Tires	46
Gasoline Engine	47
Battery	47
Brakes	47
Front Differential	47
Rear Differential.....	47
Transmission	47
Vehicle Weights And Load Capacities.....	47
SECTION 6 – VEHICLE OPERATION	51
Daily Pre-Operational Safety And Performance Checks.....	53
Overview.....	53
Daily Pre-Operational Safety Checklist	54
Vehicle Performance Inspection	55
Vehicle Movement.....	56
Overview.....	56
Engine Start.....	56
Turn Off Engine	57
Forward Movement	57
Reverse Movement.....	58
Slow Or Stop The Vehicle	58
Park The Vehicle	59
Driving Conditions	59
Uphill Slope.....	59
Side Hill Slope	60
Downhill Slope.....	60
Over Obstacles	61
Below Obstacles	61
Night Time	61
Through Water.....	62
With Cargo	62
SECTION 7 – VEHICLE MAINTENANCE	65
Disable The Vehicle	67
Vehicle Cleaning.....	67
Windshield	67
Vehicle Exterior	67



Vehicle Interior	68
Maintenance Schedule	68
Overview	68
Service Schedule	68
Maintenance Tasks	70
Air Filter	70
Brake Fluid Level Inspection	71
Engine Oil	72
Front Differential Fluid Level Inspection	76
Refuel	77
Lift The Vehicle	78
Lower The Vehicle	80
Rear Differential Fluid Level Inspection	82
Spark Plug	83
Tire Pressure Measurement	84
Transmission Inspection	84
Wheel Assembly	85
SECTION 8 – BATTERY MAINTENANCE	87
<hr/>	
Battery Cleaning	88
Battery Charging	88
Jump Start With Battery Charger	88
Battery Electrical Connection	89
Disconnect	89
Connect	89
SECTION 9 – TRANSPORT AND TOW	91
<hr/>	
Prepare The Vehicle To Be Towed	92
Towing A Trailer Or Vehicle	93
Vehicle Transport Preparation	93
Vehicle Transport Recovery	94
SECTION 10 – EXTENDED STORAGE	95
<hr/>	
Extended Storage Preparation	96
Return To Service From Extended Storage	98
SECTION 11 – WARRANTIES	101
<hr/>	
Limited Warranty	102
Warranty	102
Warranty Timeframe	102
Exclusions	103
Voiding Of Warranty	103
Sole Remedy	104
Disclaimer	104
No Consequential Damages	104
How To Make A Warranty Claim	104
Federal Emissions Component Defect Warranty	105
Warranty Coverage	105
Warranty Period	105
Parts Covered	105
Distribution Center	106
Warranty Service	106
What Is Not Covered	107
Owner's Responsibilities	107
Things To Know About The Emission Control System Warranty Maintenance And Repairs	107
How To Make A Claim	108
California Evaporative Emission Control Warranty Statement	108

Your Warranty Rights And Obligations.....	108
Manufacturer’s Warranty Coverage.....	108
Owner’s Warranty Responsibilities	108
Defects Warranty Coverage	109
Evaporative Emissions Warranty Parts List	110



1

SAFETY INFORMATION

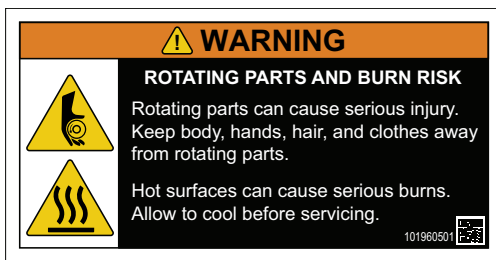
GENERAL SAFETY INFORMATION

This vehicle is designed and intended to transport people and cargo in off road applications including commercial, industrial and agriculture. Operation on hard, improved surfaces should be limited. Always adhere to local laws and regulations pertaining to the use of the vehicle.

Only operate this vehicle as described in this manual. Speak with your local dealer or distributor for changes, additions, or modifications that are necessary to comply with local laws and regulations pertaining to the use of the vehicle.

Any vehicle can be used in a variety of usages outside of the manufacturer's intent. Club Car cannot anticipate and warn for every possible usage condition. Therefore, the operator must exercise good sense and judgement and must operate the vehicle in an appropriate manner for the way in which the vehicle is being used.

PRACTICE SAFETY



Signal words (DANGER, WARNING, CAUTION, and NOTICE) and safety messages are in this manual and on safety decals. Read, understand, and obey all instructions, safety precautions, and safety decals before vehicle operations.

Replace missing, damaged, or unreadable safety decals immediately to prevent possible property damage, personal injury, or death. Purchase replacement safety decals from your dealer or distributor.

Know and understand all laws and regulations for vehicle operation in your area.

Speak with your dealer or distributor if you have questions about material contained in this manual or the vehicle.





SAFETY SIGNAL WORDS

Signal words (DANGER, WARNING, CAUTION, and NOTICE) and safety messages are in this manual and on safety decals. Read, understand, and obey all instructions, safety precautions, and safety decals before vehicle operations.

Safety messages are necessary and must be obeyed.



The safety alert symbol is used to alert you to possible personal injury hazards. Obey all safety messages that follow this symbol to prevent possible injury or death.

SAFETY SIGNAL WORD	SIGNIFICANCE
	<p>A DANGER identifies a hazardous situation which will result in death or serious injury.</p>
	<p>A WARNING identifies a hazardous situation which could result in death or serious injury.</p>
	<p>A CAUTION identifies a hazardous situation which could result in minor or moderate injury.</p>
	<p>A NOTICE identifies a hazardous situation which could result in property damage.</p>

SAFETY COMMITTEE

If the vehicle is rented or part of a fleet, Club Car recommends a safety committee. The primary concern of the safety committee is safe vehicle operation.

Safety committee objectives include:

- Approve vehicle operation areas.
- Identify all hazards.
- Identify who is approved to operate the vehicle.
- Keep the vehicles in a safe and serviceable condition.
- Supply instructions on safe vehicle operation.
- Visually show all hazards.

VEHICLE SAFETY INFORMATION



FAILURE TO OBEY INSTRUCTIONS IN THIS MANUAL CAN CAUSE PROPERTY DAMAGE, SERIOUS PERSONAL INJURY, OR DEATH. BEFORE YOU OPERATE THE VEHICLE OR DO THE SERVICING OF THE VEHICLE, READ AND FULLY UNDERSTAND THE OWNER'S MANUAL.

CLUB CAR VEHICLES ARE NOT RATED FOR OPERATION IN EXPLOSIVE AREAS. THE VEHICLE OR BATTERY CHARGER CAN CAUSE FLAMMABLE MATERIAL AND FUME IGNITION. DO NOT OPERATE THE VEHICLE OR BATTERY CHARGER NEAR FLAMMABLE MATERIALS AND FUMES.

THE VEHICLE DOES NOT GIVE PROTECTION FROM LIGHTNING, FLYING OBJECTS, OR OTHER STORM RELATED HAZARDS. DO NOT OPERATE THE VEHICLE IN STORMS. STOP THE VEHICLE. GET OUT OF THE VEHICLE IMMEDIATELY AND FIND A SHELTER IN ACCORDANCE WITH APPLICABLE SAFETY GUIDELINES FOR YOUR LOCATION IF IN A STORM.

UNINTENDED VEHICLE OPERATION CAN CAUSE SERIOUS PERSONAL INJURY OR DEATH. MAKE SURE THAT CHILDREN ARE ALWAYS SUPERVISED IN AND AROUND THE VEHICLE.

A WEAK CAB STRUCTURE WILL CAUSE SERIOUS PERSONAL INJURY OR DEATH. DO NOT REMOVE ANY COMPONENT OF THE CAB FRAME STRUCTURE. DO NOT CHANGE ANY COMPONENT OF THE CAB FRAME STRUCTURE.

A WEAK ROPS STRUCTURE CAN CAUSE SERIOUS PERSONAL INJURY OR DEATH. DO NOT REMOVE ANY COMPONENT OF THE ROPS STRUCTURE. DO NOT CHANGE ANY COMPONENT OF THE ROPS STRUCTURE.

DO NOT OPERATE THE VEHICLE UNDER THE INFLUENCE OF ALCOHOL, DRUGS, MEDICATIONS, OR WHILE DISTRACTED.

 **WARNING**

ELECTRICAL SHORTS CAN CAUSE A FIRE, ELECTRICAL SHOCK, SERIOUS PERSONAL INJURY, OR DEATH. PREVENT CONTACT BETWEEN POSITIVE VOLTAGE AND THE GROUND CIRCUIT. USE INSULATED TOOLS.

A HOT ENGINE AND EXHAUST SYSTEM WILL CAUSE SERIOUS BURNS. DO NOT TOUCH A HOT ENGINE OR EXHAUST. BEFORE SERVICING, LET THE ENGINE AND EXHAUST SYSTEM COOL.

TO HELP PREVENT BEING HIT, DO NOT STAND IN FRONT OF OR BEHIND THE VEHICLE.

ONLY ONE PERSON PER BUCKET SEAT. ONLY RIDE ON THE BUCKET SEATS. DO NOT LET PEOPLE RIDE ON ANY PART OF THE VEHICLE THAT IS NOT EQUIPPED WITH A SEAT. DO NOT LET A PASSENGER HOLD A CHILD IN HIS OR HER LAP WHILE THE VEHICLE MOVES.

ONLY TWO PERSONS PER BENCH SEAT. ONLY RIDE ON THE BENCH SEAT. DO NOT LET PEOPLE RIDE ON ANY PART OF THE VEHICLE THAT IS NOT EQUIPPED WITH A SEAT. DO NOT LET A PASSENGER HOLD A CHILD IN HIS OR HER LAP WHILE THE VEHICLE MOVES.

ONLY TRAINED TECHNICIANS SHOULD SERVICE OR REPAIR THE VEHICLE. ANYONE DOING EVEN SIMPLE REPAIRS OR SERVICE SHOULD HAVE KNOWLEDGE AND EXPERIENCE IN ELECTRICAL AND MECHANICAL REPAIR. THE APPROPRIATE INSTRUCTIONS MUST BE USED WHEN PERFORMING MAINTENANCE, SERVICE, OR ACCESSORY INSTALLATION.

 **CAUTION**

EXTENDED OPERATION OF ELECTRICAL ACCESSORIES WITH OR WITHOUT THE ENGINE ON CAN DISCHARGE THE BATTERY AND CAUSE THE VEHICLE TO TURN OFF. THE OPERATOR AND PASSENGERS CAN BECOME STRANDED. KEEP THE TOTAL DRAW OF ELECTRICAL ACCESSORIES BELOW THE CHARGING SYSTEM CAPACITY RATING.

ACCESSORIES ATTACHED TO THE BED SIDES CAN ADD WIDTH TO THE VEHICLE, HIT NEARBY PERSONS OR OBJECTS, AND CAUSE PROPERTY DAMAGE AND SERIOUS PERSONAL INJURY. USE CAUTION WHEN OPERATING THE VEHICLE WITH ACCESSORIES ATTACHED TO THE BED SIDES.

IF THE CAB HAS DAMAGE, DO NOT OPERATE THE VEHICLE. DO NOT TRY TO REPAIR THE DAMAGED PARTS. REPLACE THE DAMAGED PARTS.

IF THE ROPS HAS DAMAGE, DO NOT OPERATE THE VEHICLE. DO NOT TRY TO REPAIR THE DAMAGED PARTS. REPLACE THE DAMAGED PARTS.

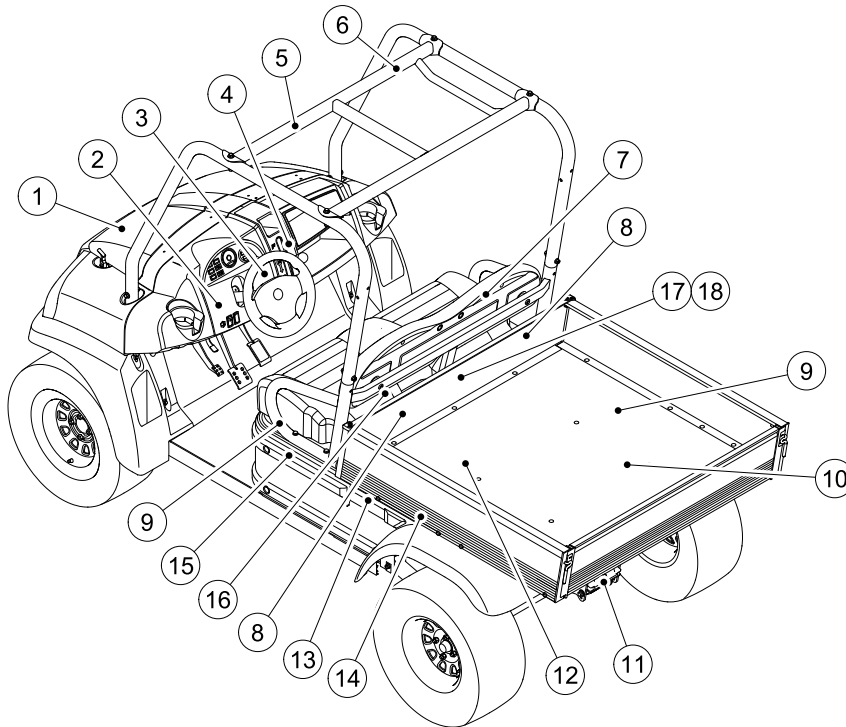
VEHICLE SAFETY AND COMPLIANCE DECALS



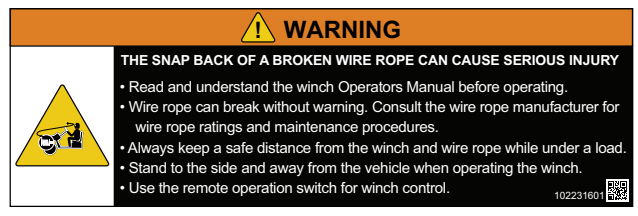
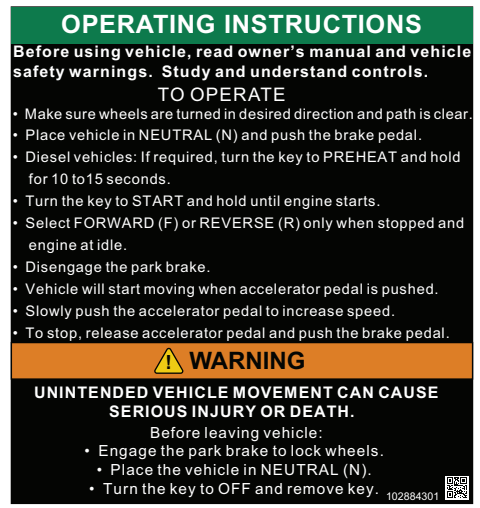
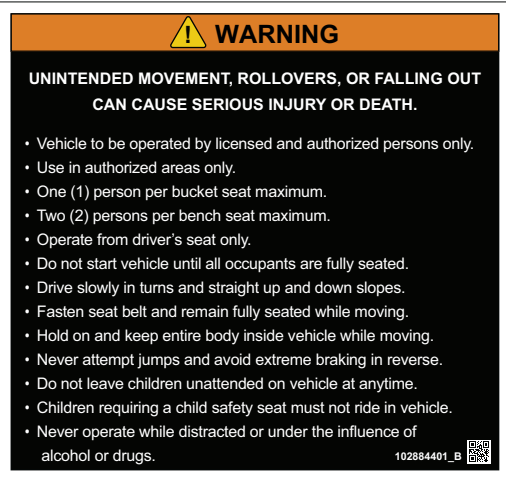
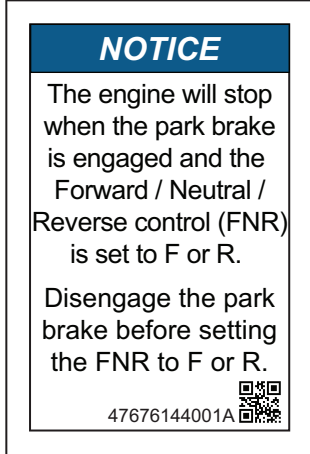
MAKE SURE ALL OF THE SAFETY AND OPERATION DECALS ARE IN THE CORRECT LOCATION ON THE VEHICLE. REPLACE THE SAFETY AND OPERATION DECALS THAT ARE MISSING OR DAMAGED.

Understand and obey all safety decals. The instructions on these safety decals must be followed in order to prevent the risk of dangerous personal injury or property damage.

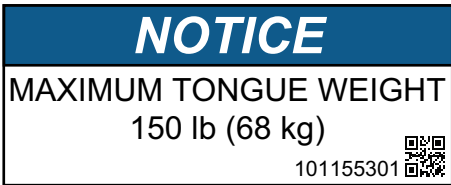

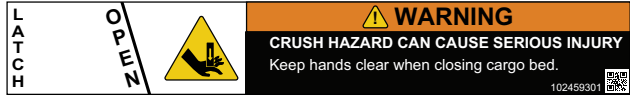

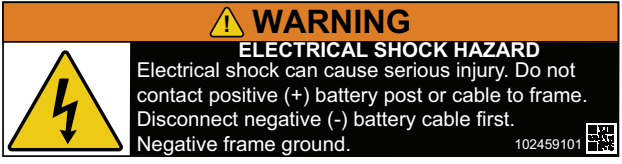


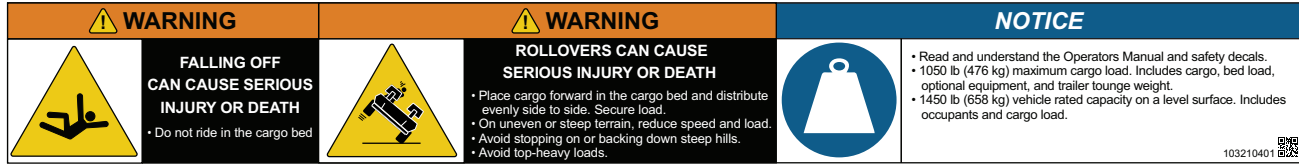
Use a soft moist cloth to clean the decals. Do not use solvents, gasoline, or other chemicals to clean the decals. Do not pressure wash decals.



G-200096-00068

 <p>WARNING</p> <p>THE SNAP BACK OF A BROKEN WIRE ROPE CAN CAUSE SERIOUS INJURY</p> <ul style="list-style-type: none"> • Read and understand the winch Operators Manual before operating. • Wire rope can break without warning. Consult the wire rope manufacturer for wire rope ratings and maintenance procedures. • Always keep a safe distance from the winch and wire rope while under a load. • Stand to the side and away from the vehicle when operating the winch. • Use the remote operation switch for winch control. <p>102231601</p>	 <p>OPERATING INSTRUCTIONS</p> <p>Before using vehicle, read owner's manual and vehicle safety warnings. Study and understand controls.</p> <p>TO OPERATE</p> <ul style="list-style-type: none"> • Make sure wheels are turned in desired direction and path is clear. • Place vehicle in NEUTRAL (N) and push the brake pedal. • Diesel vehicles: If required, turn the key to PREHEAT and hold for 10 to 15 seconds. • Turn the key to START and hold until engine starts. • Select FORWARD (F) or REVERSE (R) only when stopped and engine at idle. • Disengage the park brake. • Vehicle will start moving when accelerator pedal is pushed. • Slowly push the accelerator pedal to increase speed. • To stop, release accelerator pedal and push the brake pedal. <p>WARNING</p> <p>UNINTENDED VEHICLE MOVEMENT CAN CAUSE SERIOUS INJURY OR DEATH.</p> <p>Before leaving vehicle:</p> <ul style="list-style-type: none"> • Engage the park brake to lock wheels. • Place the vehicle in NEUTRAL (N). • Turn the key to OFF and remove key. <p>102884301</p>
<p>1. Winch Safety Warning Decal (Optional Equipment)</p>	<p>2. Operating Instructions Decal</p>
 <p>WARNING</p> <p>UNINTENDED MOVEMENT, ROLLOVERS, OR FALLING OUT CAN CAUSE SERIOUS INJURY OR DEATH.</p> <ul style="list-style-type: none"> • Vehicle to be operated by licensed and authorized persons only. • Use in authorized areas only. • One (1) person per bucket seat maximum. • Two (2) persons per bench seat maximum. • Operate from driver's seat only. • Do not start vehicle until all occupants are fully seated. • Drive slowly in turns and straight up and down slopes. • Fasten seat belt and remain fully seated while moving. • Hold on and keep entire body inside vehicle while moving. • Never attempt jumps and avoid extreme braking in reverse. • Do not leave children unattended on vehicle at anytime. • Children requiring a child safety seat must not ride in vehicle. • Never operate while distracted or under the influence of alcohol or drugs. <p>102884401_B</p>	 <p>NOTICE</p> <p>The engine will stop when the park brake is engaged and the Forward / Neutral / Reverse control (FNR) is set to F or R.</p> <p>Disengage the park brake before setting the FNR to F or R.</p> <p>47676144001A</p>
<p>3. Rollover Warning Decal</p>	<p>4. Park Brake Notice Decal</p>

<p>5. Young Driver Warning Decal (with ROPS)</p>	<p>6. Roll-Over Protective Structure (ROPS) Warning Decal</p>
<p>7. Fuel Warning Decal</p>	<p>8. Crush Area Warning Decal</p>
<p>9. Rotating Parts Warning Decal</p>	<p>10. Electric Bed Lift Warning Decal (Optional Equipment)</p>

	
<p>11. Trailer Hitch Tongue Weight Notice Decal</p>	<p>12. Hot Manifold Warning Decal</p>
	
<p>13. Bed Latch Warning Decal</p>	<p>14. Rotating/Hot Parts Warning Decal</p>
	
<p>15. Ground Warning Decal</p>	<p>16. Hot Surface Warning Decal</p>
	
<p>17. Vehicle Loading Instructions Decal (standard)</p>	
	
<p>18. Vehicle Loading Instructions Decal (high capacity option)</p>	

VEHICLE SAFETY FEATURES

MULTI-PURPOSE BUZZER

The vehicle comes equipped with a multi-purpose buzzer. The multi-purpose buzzer makes an audible tone when:

- The Forward / Neutral / Reverse control (FNR) is set to R.

ROLL-OVER PROTECTIVE STRUCTURE

 **DANGER**

DO NOT REMOVE OR MODIFY ANY COMPONENT OF THE ROLL-OVER PROTECTIVE STRUCTURE (ROPS). DOING SO WILL RESULT IN VOIDING THE ROPS CERTIFICATION AND COULD WEAKEN THE ROPS, RESULTING IN SERIOUS PERSONAL INJURY OR DEATH.

OPERATING THE VEHICLE WITH THE ROLL-OVER PROTECTIVE STRUCTURE (ROPS) REMOVED CAN CAUSE PROPERTY DAMAGE, SERIOUS PERSONAL INJURY, OR DEATH. DO NOT OPERATE THE VEHICLE WITH THE ROPS REMOVED.

OBJECTS MAY FALL DURING TRANSPORT RESULTING IN SERIOUS PERSONAL INJURY OR DEATH. DO NOT STORE OR TRANSPORT OBJECTS BY PLACING ON TOP OF ROPS OR BY SUSPENDING FROM ROPS.

DO NOT OPERATE THE VEHICLE IF THE ROLL-OVER PROTECTIVE STRUCTURE (ROPS) IS DAMAGED. IF THE ROPS IS DAMAGED, REPLACE THE STRUCTURE. DO NOT ATTEMPT TO REPAIR.

DO NOT USE THE SEAT BELTS ON A VEHICLE THAT IS NOT EQUIPPED WITH ROLL-OVER PROTECTIVE STRUCTURE (ROPS). DOING SO COULD RESULT IN PROPERTY DAMAGE, SERIOUS PERSONAL INJURY, OR DEATH.

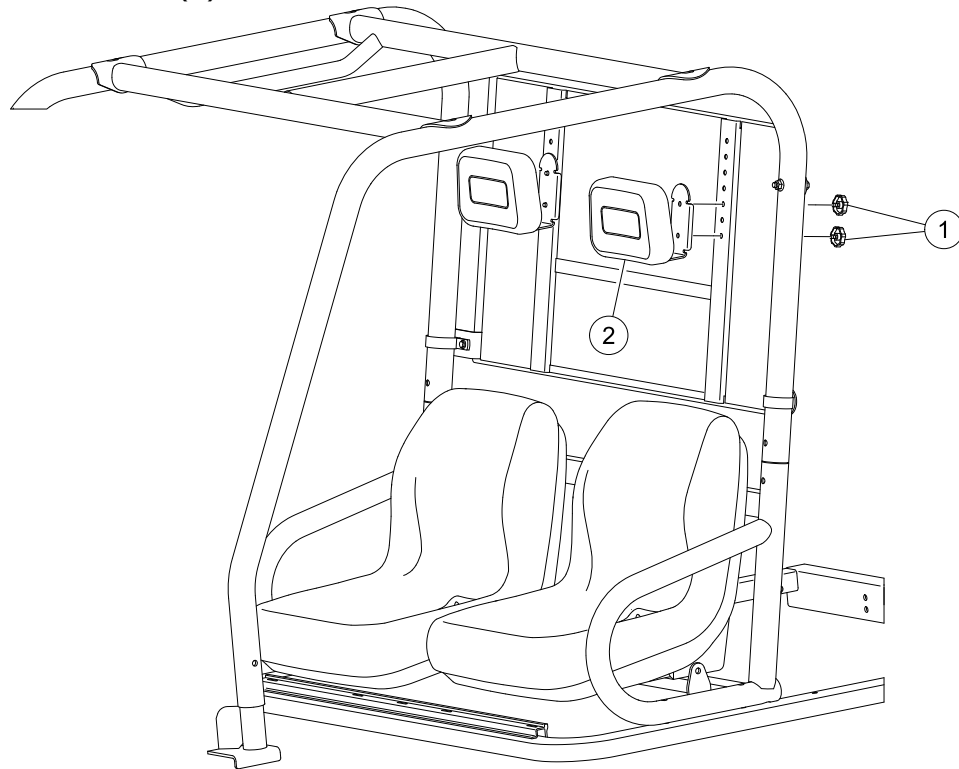
 **WARNING**

THE ROLL-OVER PROTECTIVE STRUCTURE (ROPS) MUST BE PROPERLY INSTALLED BEFORE OPERATING THE VEHICLE. THE MANUFACTURER STRONGLY URGES THAT THE VEHICLE'S OCCUPANTS BE PROPERLY RESTRAINED AT ALL TIMES WITH THE SEAT BELTS PROVIDED.

The Roll-Over Protective Structure (ROPS) on this vehicle meets OSHA 1928.53 roll-over performance requirements. Always have your approved dealer or distributor fully inspect the ROPS if it becomes damaged.

CARGO CAGE HEADREST ADJUSTMENT

1. Remove the thumb screws (1).



2. Adjust the headrest (2).

NOTICE

DAMAGE CAN OCCUR IF THE HEADREST HARDWARE IS TOO TIGHT. DO NOT TIGHTEN THE HEADREST HARDWARE TOO MUCH.

3. Install and tighten the thumb screws with your hand.

FALLING OBJECT PROTECTION SYSTEM

The Falling Object Protection System (FOPS) protects the vehicle occupants from falling debris. The FOPS is not a Roll-Over Protective Structure (ROPS).

SEAT BELTS

ABOUT SEAT BELTS

⚠ DANGER

A SEAT BELT CAN DECREASE PERSONAL INJURY AND EJECTION DURING BRAKING, A COLLISION, OR ROLL-OVER. ALWAYS USE THE SEAT BELT. STAY SEATED WHILE THE VEHICLE OPERATES.

Note: Seat belts cannot fully protect you in every crash but can decrease your risk of serious injury.

Seat belts are an important safety feature on your vehicle. Seat belts help protect you in almost every type of crash:

- Frontal impacts

- Side impacts
- Rear impacts
- Roll-over

PROPER USE OF SEAT BELTS

DANGER

FAILURE TO USE THE SEAT BELT CORRECTLY CAN CAUSE SERIOUS PERSONAL INJURY OR DEATH. MAKE SURE THAT THE TAB AND BUCKLE ARE LOCKED. MAKE SURE THAT THE BELT IS NOT TWISTED.

IF THE VEHICLE STARTS TO ROLL OVER, DO NOT TRY TO GET OUT OF THE VEHICLE. STAY SEATED WITH THE SEAT BELT ON. KEEP ARMS AND LEGS IN THE VEHICLE.

DO NOT USE THE SEAT BELTS ON A VEHICLE THAT IS NOT EQUIPPED WITH ROLL-OVER PROTECTIVE STRUCTURE (ROPS). DOING SO COULD RESULT IN PROPERTY DAMAGE, SERIOUS PERSONAL INJURY, OR DEATH.

WARNING

FAILURE TO USE THE SEAT BELT CORRECTLY CAN CAUSE SERIOUS PERSONAL INJURY OR DEATH. DO NOT USE A SEAT BELT FOR MORE THAN ONE PERSON.

LOOSE FITTING SEAT BELTS COULD INCREASE THE CHANCE OF INJURY DUE TO SLIDING UNDER THE BELT IF SUDDEN BRAKING SHOULD OCCUR. KEEP THE SEAT BELT SNUG AND POSITIONED AS LOW ON THE HIP BONE AS POSSIBLE.

Follow these guidelines for proper use. Failure to obey could cause serious injuries or death.

- All occupants should sit upright and well back in the seat while the vehicle is in motion.
- Do not put the shoulder strap of a 3-point seat belt under your arm or behind your back.
- Never allow two or more occupants to share the same seat belt.
- Do not install accessories on the seat belts. Accessories can decrease seat belt protection.

CLEAN THE SEAT BELT

DANGER

BLEACH, DYE, AND ABRASIVE CLEANERS CAN MAKE THE SEAT BELTS WEAK AND CAUSE PERSONAL INJURY. KEEP THE SEAT BELTS CLEAN AND DRY. CLEAN THE SEAT BELTS WITH A MILD SOAP AND WARM WATER SOLUTION.

1. Use mild soap and warm water solution to clean the seat belt.
2. Make sure that the seat belts are fully dry before operation.

SEAT BELT INSPECTION

**DANGER**

A SEAT BELT THAT DOES NOT OPERATE CORRECTLY CAN CAUSE SERIOUS PERSONAL INJURY. DO NOT DISASSEMBLE OR CHANGE THE SEAT BELT SYSTEM. DO NOT DAMAGE THE SEAT BELT OR HARDWARE. SPEAK WITH YOUR LOCAL DEALER OR DISTRIBUTOR FOR REPAIR. OCCUPY THE SEAT WHEN THE SEAT BELT IS REPAIRED.

A SEAT BELT WITH DAMAGE CAN CAUSE SERIOUS PERSONAL INJURY. EXAMINE THE SEAT BELT SYSTEM DAILY. REPLACE PARTS WITH DAMAGE IMMEDIATELY. SPEAK WITH YOUR LOCAL DEALER OR DISTRIBUTOR FOR REPAIR. A SEAT BELT THAT DOES NOT OPERATE CORRECTLY CAN CAUSE PERSONAL INJURY.

Repair or replace a seat belt that does not operate correctly or is not in good condition immediately. Have your seat belts inspected by a dealer/distributor after any accident. A damaged seat belt may not give as much protection in a subsequent accident.

Seat Belt Inspection:

1. Extend fully each belt.
2. Inspect the seat belt before each use. Visually look for cuts, fraying, and loose parts. Damaged parts must be replaced immediately.

CORRECT SEAT BELT POSITION

**WARNING**

MAKE SURE THAT THE SHOULDER BELT IS POSITIONED ACROSS THE CENTER OF THE SHOULDER. THE BELT SHOULD BE KEPT AWAY FROM THE NECK, BUT NOT FALLING OFF THE SHOULDER. FAILURE TO DO SO CAN REDUCE THE AMOUNT OF PROTECTION AND INCREASE THE CHANCE OF INJURY.

Proper Seat Belt Position

- Sit up straight and well back in the seat.
- Always keep your feet on the floor in front of you.
- Always use the correct buckle for your seating position.
- Position the lap belt as low as possible on the hips and not the waist. Make sure that the belt is not twisted.
- Position the shoulder belt across the center of the shoulder. The belt should be kept away from the neck, but not falling off the shoulder. Make sure that the belt is not twisted.
- Wear the shoulder belt over the shoulder and across the chest. These parts of the body are best able to take belt restraining forces. The shoulder belt locks if there is a sudden stop or crash.
- Younger children and infants that require a safety seat or that can benefit from the protection of a safety seat must not be an occupant of this vehicle. This vehicle is not designed to meet child safety seat compatibility requirements.
- Comply with all state and local laws pertaining to child safety.
- Pregnant Women - Consult your doctor for specific recommendations. The seat belt must be worn securely and as low as possible over the hips and not on the waist

- Injured Persons - Consult your doctor for specific recommendations.
- Seat Belt Extenders - Club Car does not recommend the use of seat belt extenders.

LATCH A SEAT BELT

 **WARNING**

AN IMPROPERLY POSITIONED SEAT BELT CAN CAUSE SERIOUS INJURY OR DEATH IN AN ACCIDENT. MAKE SURE ALL SEAT BELTS ARE PROPERLY POSITIONED BEFORE DRIVING.

To fasten a seat belt:

1. Pull the seat belt out of the retractor.
Note: The retractor will lock the belt during a sudden stop. It also may lock if the occupant leans forward too quickly. A slow, easy motion will allow the belt to extend, and the occupant can move freely. If the seat belt cannot be pulled out of the retractor, firmly pull the belt and release it. It should then pull smoothly out of the retractor.
2. Insert the tongue into the buckle. A click will be heard when the tongue locks into the buckle.
3. After inserting the tongue, make sure the tongue and buckle are locked and that the belt is not twisted.

HOW TO UNLATCH A SEAT BELT

To unlatch a seat belt:

1. Make sure that the vehicle has come to a full stop and the park brake is engaged.
2. Press the buckle release button and allow the belt to retract. Pull the belt out and check for kinks or twists if the belt does not retract smoothly. Make sure the belt remains free of twists as it retracts.

BATTERY SAFETY INFORMATION

 **DANGER**

BATTERY ACID CAN CAUSE SERIOUS BURNS. PREVENT CONTACT WITH SKIN, EYES, AND CLOTHING. WEAR A FULL FACE SHIELD AND RUBBER GLOVES WHEN SERVICING A BATTERY. ANTIDOTES: EXTERNAL: FLUSH WITH WATER. CALL A PHYSICIAN IMMEDIATELY. INTERNAL: DRINK LARGE QUANTITIES OF MILK OR WATER FOLLOWED WITH MILK OF MAGNESIA OR VEGETABLE OIL. CALL A PHYSICIAN IMMEDIATELY. EYES: FLUSH WITH WATER FOR 15 MINUTES. CALL A PHYSICIAN IMMEDIATELY.

 **WARNING**

FROZEN BATTERY ACID CAN CAUSE DAMAGE INCLUDING LEAKS AND EXPLOSIONS. IF THE BATTERY ACID FREEZES, REPLACE THE BATTERY BEFORE CHARGING OR USE. BATTERIES IN A LOW STATE OF CHARGE WILL FREEZE AT LOW TEMPERATURES. KEEP THE BATTERIES IN A HIGH STATE OF CHARGE.






FLOODED AND SUBMERGED BATTERIES CAN CAUSE DAMAGE INCLUDING LEAKS AND EXPLOSION. IF A BATTERY IS SUBMERGED, REPLACE THE BATTERY BEFORE CHARGING OR USE.

LOOSE BATTERY WIRES CAN CAUSE A FIRE, PROPERTY DAMAGE, OR SERIOUS PERSONAL INJURY. MAKE SURE THAT ALL BATTERY WIRES AND TERMINALS ARE CLEAN AND TIGHTENED CORRECTLY.

BATTERY WIRES WITH DAMAGE OR CORROSION CAN BECOME TOO HOT AND CAUSE A FIRE, PROPERTY DAMAGE, OR SERIOUS PERSONAL INJURY. REPLACE BATTERY WIRES THAT HAVE DAMAGE OR CORROSION. CLEAN CORROSION FROM THE BATTERY TERMINALS.

BATTERY INTERNATIONAL SAFETY SYMBOLS

Understand and obey the international safety symbols on the vehicle battery before you use, repair, or service the vehicle.

SYMBOL	SIGNIFICANCE
	Shield eyes
	Read and obey operation and maintenance instructions
	Do not smoke, No open flames, No sparks
	Keep away from children
	Explosive gas hazard

LEAD-ACID BATTERY RECYCLING

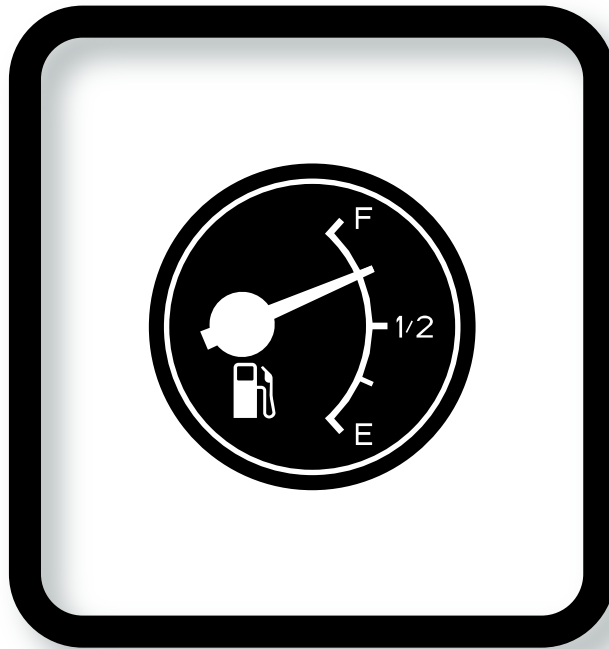
 **WARNING**

LEAD-ACID BATTERIES CONTAIN DANGEROUS MATERIALS THAT CAN CONTAMINATE THE WATER AND SOIL, CAUSE ENVIRONMENTAL DAMAGE, CAUSE PROPERTY DAMAGE, AND CAUSE SERIOUS PERSONAL INJURY. SPEAK WITH YOUR DEALER OR DISTRIBUTOR FOR INFORMATION ON HOW TO DISCARD A BATTERY CORRECTLY.

Lead-acid batteries and other components which have the Waste Electrical and Electronic Equipment (WEEE) symbol printed on them must be collected and recycled separately from other waste. Do not discard lead-acid batteries as municipal waste.

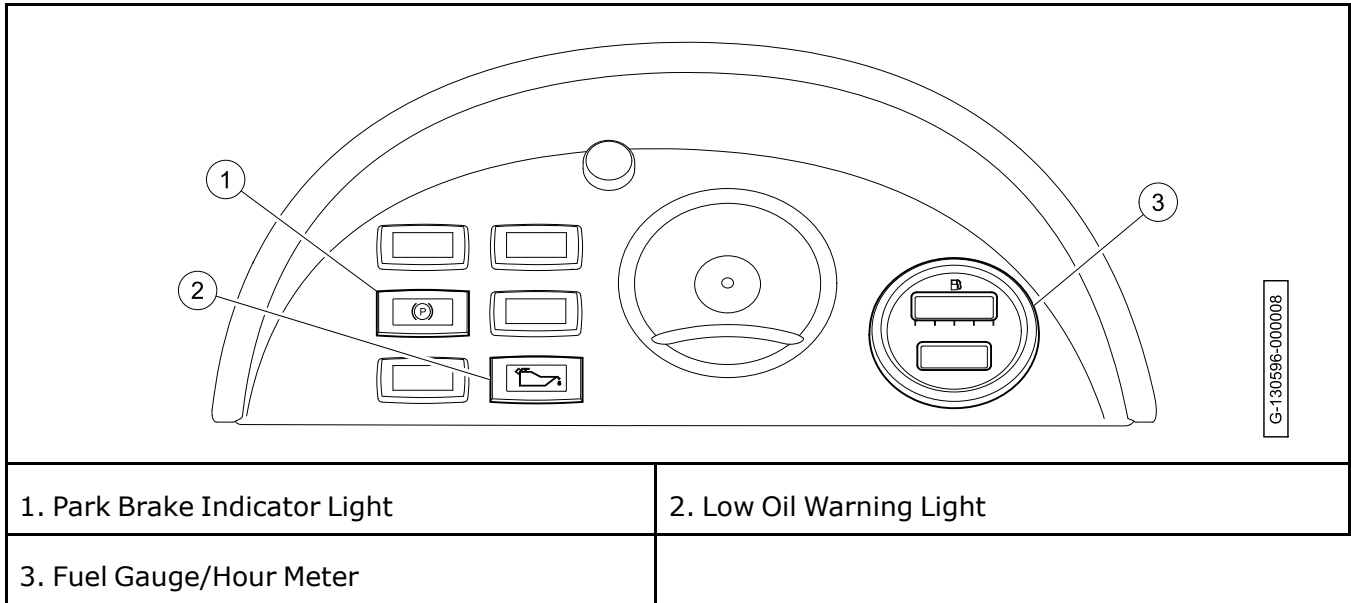
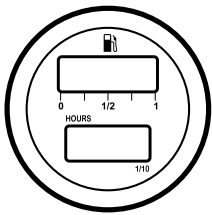
Speak with your dealer or distributor on how to correctly recycle lead-acid batteries.

(Page intentionally left blank.)



2

INDICATORS, GAUGES, AND DISPLAYS

INDICATOR, GAUGE, AND DISPLAY LOCATIONS**FUEL GAUGE/HOUR METER**

The fuel gauge/hour meter gives a visual indication of:

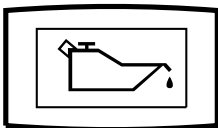
- Fuel level
- Total engine run time

The fuel gauge operates when the key switch is set to ON.

The hour meter operates when the engine is on. The hour meter should be used by approved technicians to monitor vehicle use as well as determine when periodic inspections and maintenance are necessary.

LOW OIL WARNING LIGHT**NOTICE**

FAILURE TO ADD OIL IMMEDIATELY WHEN THE LOW OIL WARNING LIGHT STAYS ON CAN CAUSE PERMANENT ENGINE DAMAGE. ADD ENGINE OIL IMMEDIATELY WHEN THE LOW OIL WARNING LIGHT STAYS ON.



The low oil warning light gives a visual indication of an oil pressure problem.

STATUS	CONDITION
OFF	Normal Operation
ON	When possible: <ol style="list-style-type: none"> 1. Stop the vehicle. 2. Turn the key to OFF. 3. Examine the engine oil level. 4. Add engine oil as necessary. 5. If the low oil level warning light stays on, have a trained technician examine the vehicle.

PARK BRAKE INDICATOR LIGHT



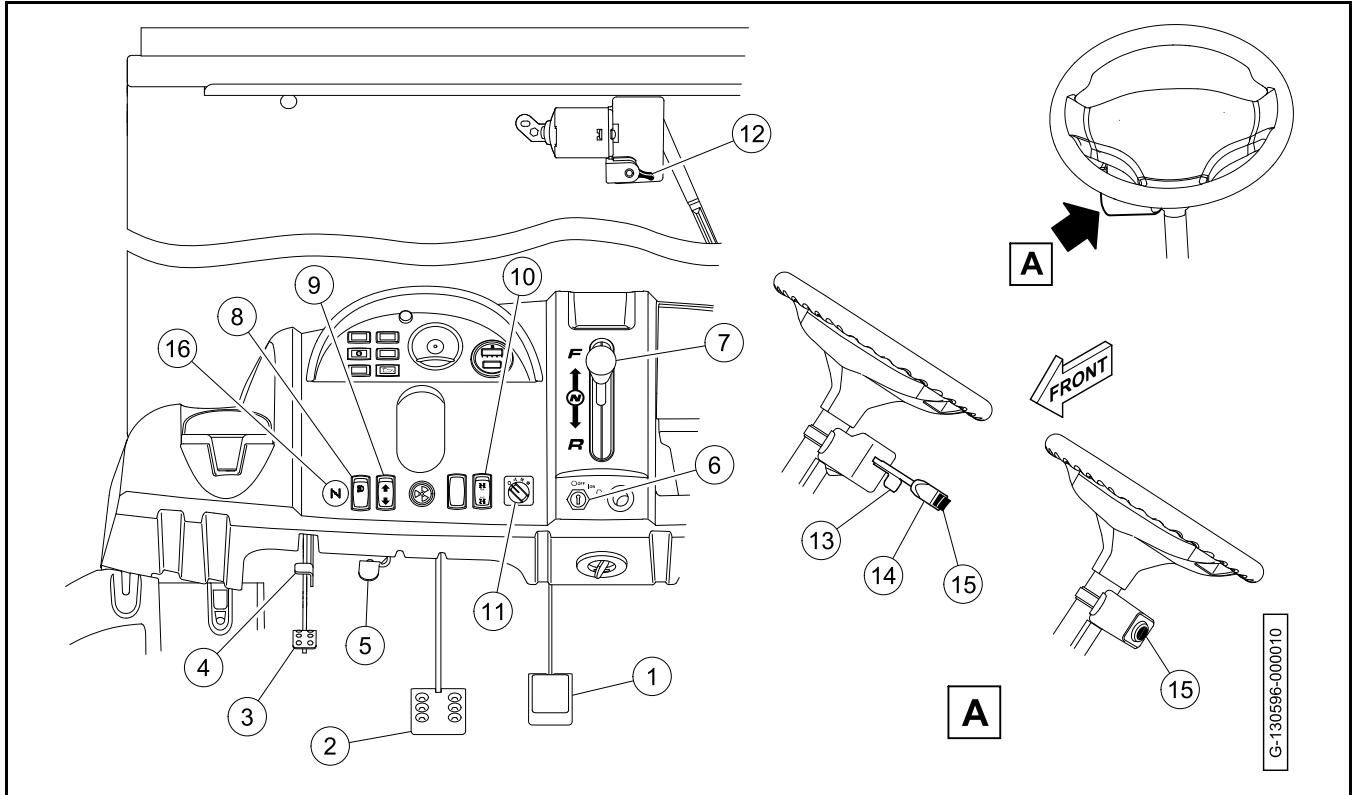
The park brake indicator gives a visual confirmation when the park brake is engaged.

(Page intentionally left blank.)



3

VEHICLE CONTROLS

VEHICLE CONTROLS LOCATOR

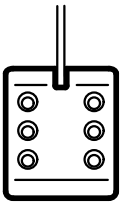
1. Accelerator Pedal	2. Brake Pedal
3. Park Brake	4. Park Brake Release
5. Steering Column Adjustment Lever	6. Key Switch
7. Forward / Neutral / Reverse Control (FNR)	8. Headlight Switch
9. Electric Bed Lift Switch (Optional Equipment)	10. Differential Switch (Optional Equipment)
11. Fan Switch (Optional Equipment)	12. Windshield Wiper Switch (Optional Equipment)
13. Hazard Lights Switch (Optional Equipment)	14. Turn Signal Lever (Optional Equipment)
15. Horn (Optional Equipment)	16. Choke

ACCELERATOR PEDAL



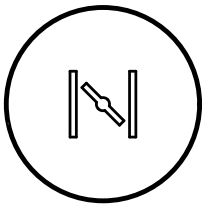
The accelerator pedal is used to increase and maintain the speed of the vehicle.

BRAKE PEDAL



The brake pedal is used to decrease speed or stop the vehicle.

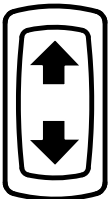
CHOKE



The choke is used to help with engine starts. The choke supplies a richer fuel mixture during ignition when engaged. When the engine starts, disengage the choke.

POSITION	FUNCTION
Out	Engage
In	Disengage

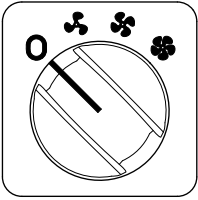
ELECTRIC BED LIFT SWITCH



The electric bed lift switch controls the movement of the cargo bed.

POSITION	FUNCTION
Top	Lift
Bottom	Lower

FAN SWITCH



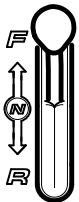
The fan switch controls the operation of the cab fan.

POSITION	FUNCTION
0	Off
	Low
	Medium
	High

FORWARD / NEUTRAL / REVERSE CONTROL

WARNING

FAILURE TO STOP THE VEHICLE BEFORE SHIFTING THE FORWARD / NEUTRAL / REVERSE CONTROL (FNR) CAN CAUSE PROPERTY DAMAGE AND SERIOUS PERSONAL INJURY. STOP THE VEHICLE BEFORE SHIFTING THE FORWARD / NEUTRAL / REVERSE CONTROL (FNR).



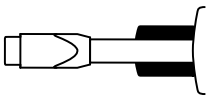
The Forward / Neutral / Reverse control (FNR) sets the direction of vehicle movement.

Stop the vehicle to change the FNR position.

The engine will only start when the FNR is set to N.

POSITION	FUNCTION
F	Forward
N (Center)	Neutral
R	Reverse

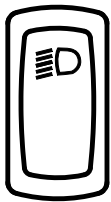
HAZARD LIGHT SWITCH



The hazard light switch controls the operation of the hazard lights. Move the turn signal switch up or down to turn off the hazard lights.

POSITION	FUNCTION
Out	On
In	Off

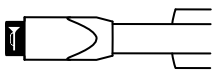
HEADLIGHT SWITCH



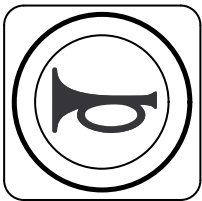
The headlight switch controls the operation of the headlights.

POSITION	FUNCTION
Top	On
Bottom	Off

HORN



The horn button is used to control the horn. The horn button is spring loaded to stay in the off position. Push and hold the horn button to operate the horn.

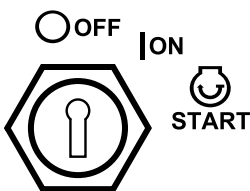


INTELLITRAK SWITCH

KEY SWITCH

WARNING

THE KEY SWITCH CAN BE USED TO DISABLE THE ENGINE IN AN EMERGENCY. DO NOT BREAK OFF KEYS IN THE KEY SWITCH.



The key switch controls the engine and electrical system. A key is used to select the key switch position. The key can only be inserted or removed when the key switch is set to OFF.

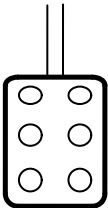
POSITION	CONDITION
OFF	Normal position when the vehicle is not in use. Electrical power from the battery is not available to power the engine, engine starter, or electrical systems. <i>Note:</i> Some electrical accessories operate independently of the key switch.
ON	Normal position when the vehicle is in use. Electrical power from the battery is available to power the engine, engine starter, and electrical systems.
START	A temporary position used to start the engine.

PARK BRAKE

WARNING

FAILURE TO ENGAGE THE PARK BRAKE CAN CAUSE PROPERTY DAMAGE AND SERIOUS PERSONAL INJURY. AFTER THE VEHICLE STOPS, ENGAGE THE PARK BRAKE UNTIL IT IS FULLY ENGAGED AND PREVENTS THE VEHICLE FROM MOVING.

UNINTENDED VEHICLE OPERATION CAN CAUSE SERIOUS PERSONAL INJURY OR DEATH. THE PARK BRAKE WILL RELEASE AUTOMATICALLY WHEN THE ACCELERATOR OR BRAKE PEDAL IS PUSHED. PREVENT ACCIDENTAL ACCELERATOR OR BRAKE PEDAL ACTUATION.

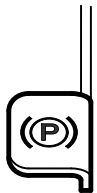


The park brake is a variable position control that is used to make sure that a vehicle does not move while parked.

Push the park brake firmly to engage the park brake.

If the park brake is engaged and the accelerator pedal is pushed, the high decibel buzzer will operate.

PARK BRAKE RELEASE

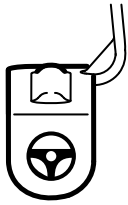


The park brake release is a control that is used to disengage the park brake.

STEERING COLUMN ADJUSTMENT LEVER

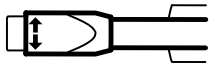
WARNING

MAKE SURE THAT THE STEERING WHEEL ADJUSTMENT LEVER IS FULLY ENGAGED BEFORE OPERATING THE VEHICLE.



The steering column adjustment lever adjusts the steering column. Set the lever in the down position to unlock and adjust the steering column position. Set the lever in the up position to lock the steering column.

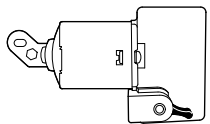
TURN SIGNAL LEVER



The turn signal lever controls the operation of the turn signal lights. The turn signal light will flash when turned on.

POSITION	FUNCTION
Down	Left
Center	Off
Up	Right

WINDSHIELD WIPER SWITCH



The windshield wiper switch controls the operation of the wiper blades.

Note: The windshield wiper operates independently of the key switch position.

POSITION	FUNCTION
Top	On
Bottom	Off

MODULAR CAB CONTROLS

DEFROST AND HEATER SWITCH

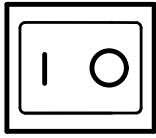


The defrost and heater switch controls the operation of the defrost and heater system.

Note: The defrost and heater system will only operate when the lower dash fan switch is set to low or high.

POSITION	FUNCTION
Top	On
Bottom	Off

DOMELIGHT SWITCH

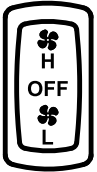


The dome light switch controls the operation of the interior cabin lights.

Note: The dome light operates independently of the key switch position.

POSITION	FUNCTION
I	On
O	Off

LOWER DASH FAN SWITCH

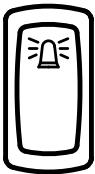


The lower dash fan switch controls the operation of the lower dash fan.

Note: The lower dash fan operates independently of the key switch position.

POSITION	FUNCTION
H	High
OFF	Off
L	Low

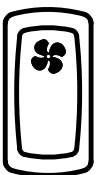
STROBE LIGHT SWITCH



The strobe light switch controls the operation of the strobe light.

POSITION	FUNCTION
Top	On
Bottom	Off

UPPER CAB FAN SWITCH



The upper cab fan switch controls the operation of the upper cab fan.

Note: The upper cab fan operates independently of the key switch position.

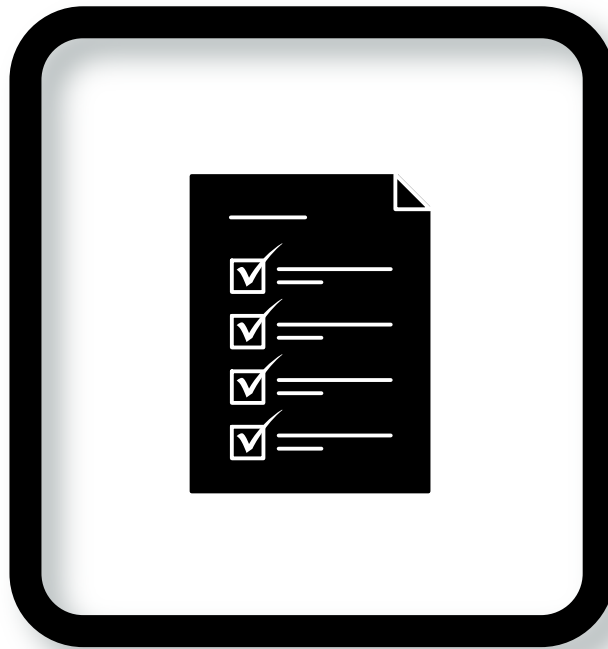
POSITION	FUNCTION
Top	On
Bottom	Off

WINDSHIELD WASHER SWITCH



The windshield washer switch controls the operation of the washer fluid supply to the windshield. The switch is spring loaded to stay in the off position. Push and hold the switch in the on position to apply washer fluid to the windshield.

(Page intentionally left blank.)



4

VEHICLE FEATURES

The vehicle features listed are standard and optional.

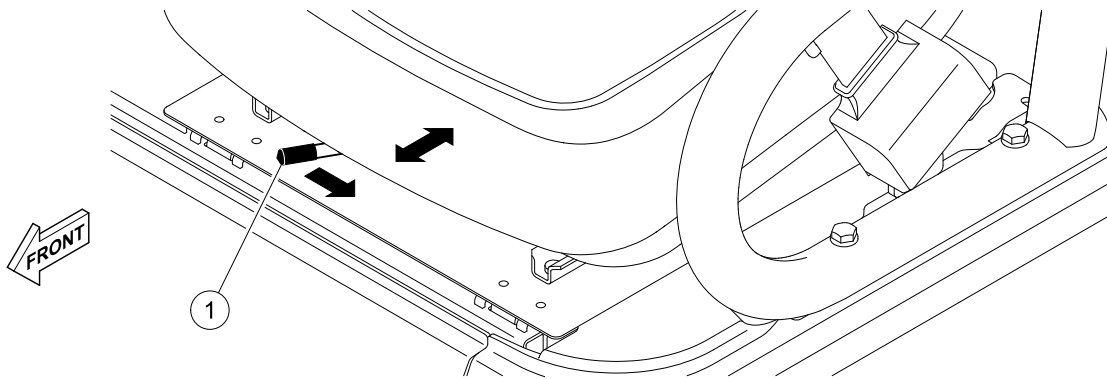
BUCKET SEATS

DRIVER SEAT ADJUSTMENT

WARNING

DO NOT ADJUST THE DRIVER-SIDE SEAT WHILE THE VEHICLE IS IN MOTION.

1. Pull the driver seat adjustment lever (1) to the left.



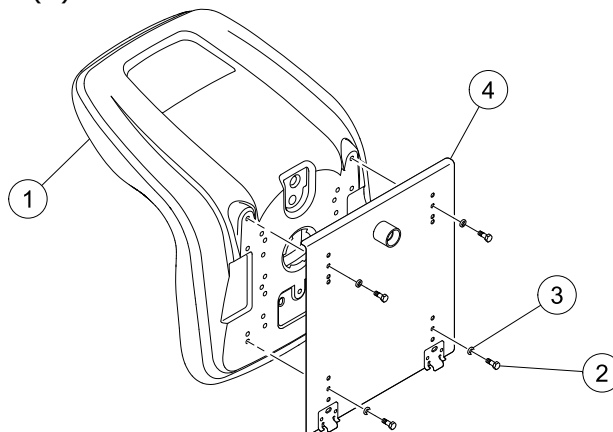
2. Adjust the driver seat forward or rearward.
3. Release the driver seat adjustment lever.
4. Make sure that the driver seat is engaged.

PASSENGER SEAT ADJUSTMENT

WARNING

MAKE SURE THAT THE SEAT HINGES AND LATCHES ARE SECURELY ENGAGED BEFORE OPERATING THE VEHICLE.

1. Remove the passenger seat (1) from the vehicle.



2. Remove the bolts (2) and washers (3).

3. Align the mounting plate (4) holes with the holes in the passenger seat.
4. Install the washers and bolts. Tighten the bolts to 80 lb·in (9.0 N·m).
5. Install the passenger seat.
6. Make sure that the passenger seat is engaged.

ELECTRIC BED LIFT

 **DANGER**

USE CAUTION WHEN WORKING UNDER THE BED. MAKE SURE THAT THE PROP ROD IS SECURE. OTHERWISE THE BED WILL FALL, RESULTING IN SERIOUS PERSONAL INJURY OR DEATH.

THE ELECTRIC CARGO BED CAN LOWER WITHOUT POWER AND CAUSE PROPERTY DAMAGE, SERIOUS PERSONAL INJURY, OR DEATH. BEFORE YOU DO THE SERVICING OF THE BED LIFT SYSTEM, REMOVE THE ELECTRIC CARGO BED.

INCORRECT OPERATION OF THE CARGO BED CAN CAUSE SERIOUS PERSONAL INJURY OR DEATH. KEEP ALL PERSONS CLEAR OF THE CARGO BED AREA WHEN THE CARGO BED IS LIFTED, LOWERED, OR DURING MAINTENANCE. KEEP HANDS CLEAR OF ALL CRUSH AREAS. DO NOT LET THE CARGO BED FALL. BEFORE THE CARGO BED IS LIFTED, REMOVE ALL CARGO AND ACCESSORIES FROM THE CARGO BED. CORRECTLY ENGAGE THE PROP ROD. CAREFULLY LOWER THE CARGO BED.

 **WARNING**

THE AREA BETWEEN THE CARGO BED AND SEAT BACK SUPPORT CAN CRUSH. KEEP HANDS AND FINGERS AWAY FROM THIS AREA.

The electric bed lift lowers and lifts the tilt cargo bed. The electric bed lift is controlled through the electric bed lift switch.

ELECTRIC BED LIFT CAPACITY

The electric bed lift has a maximum capacity of 500 lb (226 kg).

OPERATION

LIFT THE ELECTRIC BED LIFT

1. Turn the key to ON.
2. Push and hold the electric bed lift switch in the top position.

LOWER THE ELECTRIC BED LIFT

1. Turn the key to ON.
2. Push and hold the electric bed lift switch in the bottom position.
3. Release the electric bed lift switch when the electric bed lift makes a clicking sound.

INTELLITRAK SYSTEM

IntelliTrak is an on-demand all-wheel drive traction control system. IntelliTrak system supplies power from wheels that have lost traction to wheels that have traction. Speak with your local approved dealer or distributor for a detailed system description and demonstration.

MODULAR CAB

The modular cab is available in different configurations for a wide range of operator requirements. The modular cab has many accessories to select from. Speak with your local approved dealer or distributor for a full list of accessories and configurations.

The Curtis modular cab is supported by Curtis Industries, LLC. Call 508-853-2200 for parts and service.

MUD TIRE OPTION

WARNING

TO AVOID THE RISK OF ROLL-OVER WHEN OPERATING A VEHICLE EQUIPPED WITH MUD TIRES ON A PAVED SURFACE, REDUCE SPEED, USE EXTREME CAUTION, AND DRIVE SLOWLY IN TURNS.

NOTICE

IF THE TIRES ARE NOT INSTALLED CORRECTLY, TIRE PERFORMANCE WILL DECREASE. MUD TIRES ARE DIRECTIONAL AND MUST BE INSTALLED ACCORDING TO THE DIRECTIONAL ARROW MARK ON THE SIDE-WALL OF THE TIRE.

Mud tires are for off-road operation only. If the vehicle is operated on a paved surface, performance and the life of the tires will decrease.

TILT CARGO BED

DANGER

USE CAUTION WHEN WORKING UNDER THE BED. MAKE SURE THAT THE PROP ROD IS SECURE. OTHERWISE THE BED WILL FALL, RESULTING IN SERIOUS PERSONAL INJURY OR DEATH.

INCORRECT OPERATION OF THE CARGO BED CAN CAUSE SERIOUS PERSONAL INJURY OR DEATH. KEEP ALL PERSONS CLEAR OF THE CARGO BED AREA WHEN THE CARGO BED IS LIFTED, LOWERED, OR DURING MAINTENANCE. KEEP HANDS CLEAR OF ALL CRUSH AREAS. DO NOT LET THE CARGO BED FALL. BEFORE THE CARGO BED IS LIFTED, REMOVE ALL CARGO AND ACCESSORIES FROM THE CARGO BED. CORRECTLY ENGAGE THE PROP ROD. CAREFULLY LOWER THE CARGO BED.

WARNING

THE AREA BETWEEN THE CARGO BED AND SEAT BACK SUPPORT CAN CRUSH. KEEP HANDS AND FINGERS AWAY FROM THIS AREA.

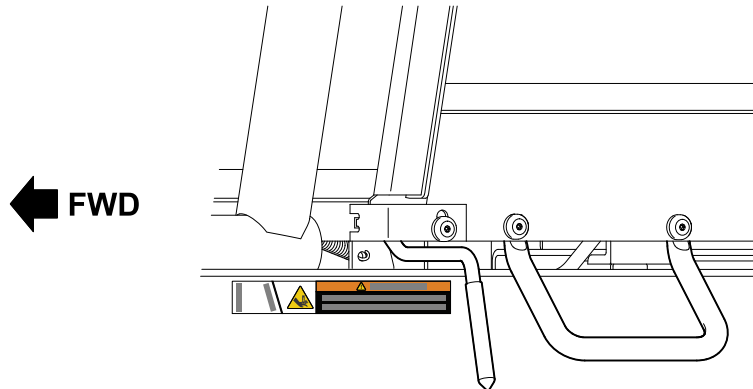
A tilt cargo bed makes the removal of cargo easier and gives additional access for vehicle maintenance. The cargo bed release handle is used to unlock the cargo bed from its stowed position. The prop rod is used to hold the lifted cargo bed in position.

Note: An optional electric bed lift is available.

OPERATION

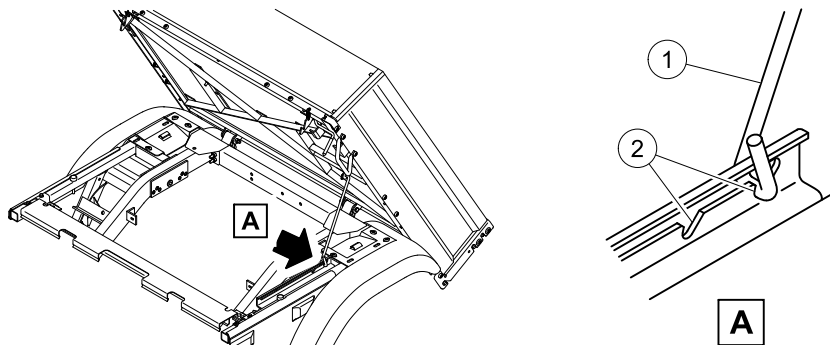
LIFT THE TILT CARGO BED

1. Disable the vehicle.
2. Pull the bed latch handle.



G-140398-000017

3. Lift the bed.
4. Make sure that the prop rod (1) is in a notch (2).

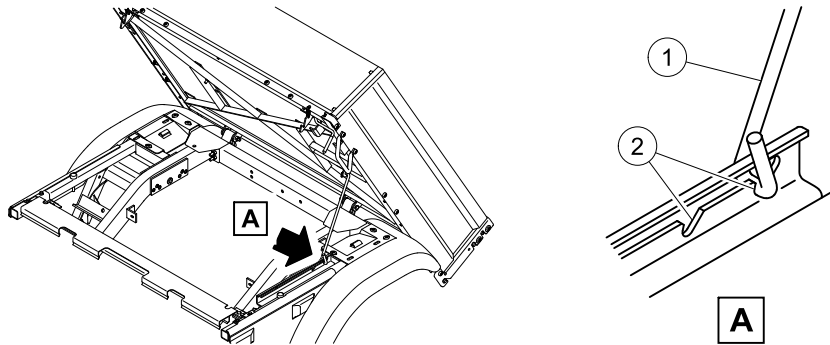


G-140398-000018

LOWER THE TILT CARGO BED

1. Lift the tilt cargo bed.

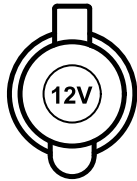
- Remove the prop rod (1) from the notch (2).



G-140398-000018

- Lower the tilt cargo bed.
- Make sure that the cargo bed latch engages.

12-VOLT POWER RECEPTACLE



The 12-volt 6.5-amp power receptacle supplies electricity to power and charge accessories when the key switch is ON. The 12-volt power receptacle and the electrical circuit are protected by a 10 amp fuse.

Note: The continuous operation of the 12-volt power receptacle can cause in a full discharge of vehicle batteries.

Note: Do not use the 12-volt power receptacle for long periods of time when the engine is off.

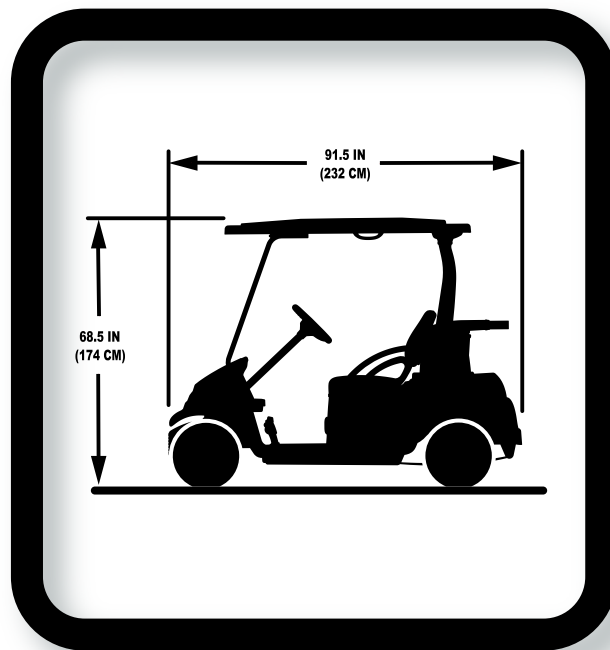
WINCH

WARNING

DO NOT USE THE WINCH WHILE PERSONS ARE SEATED ON THE VEHICLE. STAND TO THE SIDE AND AWAY FROM THE VEHICLE TO OPERATE THE WINCH.

The winch is an electric motor-driven system attached to a steel cable. For instructions on safe operation, limits, and maintenance procedures refer to the manufacturer information.

Before the winch is operated, disable the vehicle.



5

VEHICLE SPECIFICATIONS

DIMENSIONS

Length	122 in (309.9 cm) - box bed configuration without a brushguard
Width	58.5 in (148.5 cm) - without mirror 63.6 in (161.5 cm) - with mirror
Height	82.3 in (209 cm) - with ROPS
Bed Height	34 in (86.4 cm)
Box Bed Size	48.0 x 49.8 x 10.9 in (122 x 127 x 28 cm) 15.3 cubic feet (1.4 cubic meter)
Ground Clearance	8.2 in (20.8 cm)
Wheel Tread	48.8 in (124 cm) - front and rear
Wheel Base	81.5 in (207 cm)

PERFORMANCE

Forward Speed (On Level Ground)	25 mph (40 km/h)
Turning Radius (SAE J695)	11.5 ft (3.5 m)
Intersecting Aisle Clearance	Unknown At Time Of Print
Curb-To-Curb	Unknown At Time Of Print
Wall-To-Wall	Unknown At Time Of Print
Outside Clearance Circle (Diameter)	Unknown At Time Of Print

TIRES**WARNING**

IF THE DIAMETER OF ALL TIRES ON THE VEHICLE ARE NOT EQUAL, THE ALL-WHEEL DRIVE SYSTEM WILL NOT OPERATE AS INTENDED AND COULD RESULT IN SERIOUS PERSONAL INJURY OR DEATH. NEVER INSTALL TIRES OF DIFFERENT DIAMETERS ON THE VEHICLE.

Go to the approved wheel and tire assemblies matrix on <http://www.clubcar.com> for information regarding tire type, inflation pressure, and lugnut torque.

GASOLINE ENGINE

Horsepower Rating	20 hp (15 kW) at 3400 rpm (per SAE J1349)
Fuel Type	Gasoline with less than 10% ethanol rating
Fuel Capacity	6.5 gal (24.6 l)
Engine Oil Capacity	1.6 qt (1.5 l)

BATTERY

Battery Type	12V top-post, no-maintenance
Battery Quantity	1

BRAKES

Fluid type	DOT 5
------------	-------

FRONT DIFFERENTIAL

Fluid Capacity	5 fl-oz (150 ml) - Mobil™ 424
----------------	-------------------------------

REAR DIFFERENTIAL

Fluid Capacity	40 fl-oz (1200 ml) - Mobil™ 424
----------------	---------------------------------

TRANSMISSION

Fluid Capacity	20 fl-oz (600 ml) - Mobil™ 424
----------------	--------------------------------

VEHICLE WEIGHTS AND LOAD CAPACITIES



IF THE RATED CAPACITIES OF THE VEHICLE ARE EXCEEDED, PROPERTY DAMAGE, SERIOUS PERSONAL INJURY, OR DEATH CAN OCCUR. DO NOT EXCEED THE RATED CAPACITY OF THE VEHICLE. RATED CAPACITY IS FOR LEVEL SURFACES ONLY.

TOO MUCH WEIGHT IN THE VEHICLE CAN AFFECT THE VEHICLES HANDLING, OR CAUSE COMPONENT FAILURE, RESULTING IN LOSS OF CONTROL OF VEHICLE AND SERIOUS PERSONAL INJURY. DO NOT EXCEED THE VEHICLE LOAD CAPACITIES.

DO NOT TOW WHEN THE CARGO CAPACITY IS EXCEEDED.

Description	Weight
Vehicle Dry Weight	1550 lb (kg) - standard 1562 lb (kg) - high capacity option
Vehicle Curb Weight	1509 lb (kg) - standard 1521 lb (kg) - high capacity option
Maximum Occupant Capacity	400 lb (181.4 kg)
Maximum Cargo Capacity	800 lb (363 kg) - standard 1050 lb (476 kg) - high capacity option
Maximum Trailer Tongue Weight	150 lbf (667 N)
Maximum Gross Trailer Weight	2000 lb (590 kg)
Vehicle Rated Capacity	1200 lb (544 kg) - standard 1450 lb (658 kg) - high capacity option
Vehicle Combination Rated Capacity	Unknown At Time Of Print
Maximum Gross Vehicle Weight	2750 lb (1247 kg) - standard 3012 lb (1366 kg) - high capacity option
Maximum Gross Vehicle Combination Weight	Unknown At Time Of Print

TERM	DEFINITION
Vehicle Dry Weight	The vehicle dry weight is the weight of the vehicle with no fuel.
Vehicle Curb Weight	The vehicle curb weight is the weight of the vehicle with the fuel tank filled.
Maximum Occupant Capacity	The occupant capacity is the maximum permitted weight of occupants to operate the vehicle safely.
Maximum Cargo Capacity	The cargo capacity is the maximum weight of a load that the vehicle can have in the cargo area. The cargo capacity includes the weight of optional equipment.
Maximum Trailer Tongue Weight	The trailer tongue weight is the maximum permitted weight applied by the trailer tongue onto the trailer hitch.
Maximum Gross Trailer Weight	The gross trailer weight is the trailer weight plus the weight of the load on the trailer.

TERM	DEFINITION
Vehicle Rated Capacity	The vehicle rated capacity is the maximum weight on the vehicle. This capacity includes the weight of: bed load, cargo, occupants, and optional equipment.
Vehicle Combination Rated Capacity	The vehicle combination rated capacity is the maximum weight on the vehicle with a trailer. This capacity includes: vehicle rated capacity and the gross trailer weight.
Maximum Gross Vehicle Weight	The maximum gross vehicle weight is the vehicle weight plus the vehicle rated capacity.
Maximum Gross Vehicle Combination Weight	The maximum gross vehicle combination weight is the maximum gross vehicle weight plus the gross trailer weight.

(Page intentionally left blank.)



6

VEHICLE OPERATION

⚠ DANGER

OPERATING THE VEHICLE WHILE OCCUPANTS ARE NOT FULLY SEATED CAN CAUSE SERIOUS PERSONAL INJURY OR DEATH. START THE VEHICLE ONLY WHEN ALL OCCUPANTS ARE FULLY SEATED WITH SEAT BELTS FASTENED.

DO NOT LET PASSENGERS RIDE IN THE CARGO BED.

⚠ WARNING

FALLING OBJECTS CAN CAUSE PROPERTY DAMAGE, SERIOUS PERSONAL INJURY, OR DEATH. DO NOT OPERATE THE VEHICLE WHERE THERE IS A RISK OF FALLING OBJECTS.

OPERATING THE VEHICLE WHILE OCCUPANTS ARE NOT FULLY SEATED CAN CAUSE SERIOUS PERSONAL INJURY OR DEATH. START THE VEHICLE ONLY WHEN ALL OCCUPANTS ARE FULLY SEATED.

DO NOT LET A PASSENGER HOLD A CHILD ON THEIR LAP WHILE THE VEHICLE IS IN OPERATION.

DO NOT LET PASSENGERS RIDE IN THE VEHICLE OR TRAILER BEING TOWED.

KEEP AWAY FROM DROP-OFFS, STEEP SLOPES, AND UNSTABLE SURFACES.

THE VEHICLE IS NOT INTENDED TO BE USED ON PUBLIC ROADS. USE CAUTION WHEN OPERATING ON PUBLIC ROADS WHERE PERMITTED BY LAW. FOLLOW ALL APPLICABLE LAWS AND REGULATIONS.

SUDDEN STARTS, STOPS, AND TURNS CAN CAUSE PROPERTY DAMAGE AND SERIOUS PERSONAL INJURY. PREVENT SUDDEN STARTS, STOPS, AND TURNS.

FAILURE TO CORRECTLY MAINTAIN THE VEHICLE AND MAKE NECESSARY REPAIRS CAN DECREASE VEHICLE PERFORMANCE, CAUSE A FIRE, PROPERTY DAMAGE, SERIOUS PERSONAL INJURY, OR DEATH. IF PROBLEMS ARE FOUND DURING SCHEDULED INSPECTION OR SERVICE, OPERATE THE VEHICLE ONLY WHEN REPAIRS ARE MADE.

MAKE SURE THAT ALL PASSENGERS CAN SECURE THEMSELVES IN THE VEHICLE BEFORE VEHICLE OPERATION.

TO PREVENT SERIOUS PERSONAL INJURY, KEEP ENTIRE BODY IN THE VEHICLE DURING OPERATION.

THE VEHICLE IS NOT SPECIALLY EQUIPPED FOR HANDICAPPED PERSONS. BEFORE VEHICLE OPERATION, MAKE SURE THAT ALL PERSONS COMPLY WITH THE WARNINGS AND OPERATING INSTRUCTIONS.

INCORRECT OPERATION OF THE VEHICLE CAN CAUSE DECREASED VEHICLE PERFORMANCE, PROPERTY DAMAGE, SERIOUS PERSONAL INJURY, OR DEATH.

TO PREVENT FALLS FROM THE VEHICLE, PASSENGERS MUST STAY SEATED AND ALWAYS HOLD ON TO HAND HOLDS OR HANDRAILS WHEN THE VEHICLE IS IN OPERATION. THE DRIVER MUST KEEP BOTH HANDS ON THE STEERING WHEEL WHEN THE VEHICLE IS IN OPERATION.

A SHARP TURN AT HIGH SPEEDS CAN CAUSE A ROLL-OVER OR FALLING OFF WHICH CAN RESULT IN PROPERTY DAMAGE, AND SERIOUS PERSONAL INJURY. OPERATE THE VEHICLE SLOWLY IN TURNS.

UNINTENDED VEHICLE OPERATION CAN CAUSE SERIOUS PERSONAL INJURY OR DEATH. BEFORE LEAVING THE VEHICLE OR DURING VEHICLE MAINTENANCE, DISABLE THE VEHICLE.

THE VEHICLE IS NOT DESIGNED TO MEET CHILD SAFETY SEAT COMPATIBILITY REQUIREMENTS. CHILDREN REQUIRING A CHILD SAFETY SEAT MUST NOT RIDE ON THE VEHICLE. COMPLY WITH STATE AND LOCAL LAWS PERTAINING TO CHILD SAFETY.

THIS VEHICLE IS NOT INTENDED FOR USE BY PERSONS, INCLUDING CHILDREN, WITH REDUCED PHYSICAL, SENSORY OR MENTAL CAPABILITIES, OR LACK OF EXPERIENCE AND KNOWLEDGE, UNLESS THEY HAVE BEEN GIVEN SUPERVISION OR INSTRUCTION CONCERNING USE OF THE VEHICLE BY A PERSON RESPONSIBLE FOR THEIR SAFETY. CHILDREN SHOULD BE SUPERVISED TO ENSURE THAT THEY DO NOT PLAY WITH THE VEHICLE.

 **CAUTION**

OPERATE THE VEHICLE ONLY FROM THE DRIVERS SEAT.

OPERATE THE VEHICLE ONLY IN SPECIFIED AREAS.

ONLY AN AUTHORIZED LICENSED DRIVER CAN OPERATE THE VEHICLE.

ONLY OPERATE THE VEHICLE IN COMPLIANCE WITH LOCAL AND STATE LAWS.

USE CAUTION WHEN OPERATING THE VEHICLE IN THE PRESENCE OF HIGHER-SPEED VEHICLES, IN CONGESTED AREAS, OR ON UNIMPROVED SURFACES.

DAILY PRE-OPERATIONAL SAFETY AND PERFORMANCE CHECKS

OVERVIEW

Use the daily pre-operational checklist and vehicle performance inspection to inspect the operational condition and performance of the vehicle.

If a vehicle is found to be in bad operational condition, remove it from operation. Removal from operation will prevent more damage to the vehicle and prevent a serious injury.

If the vehicle is removed from operation, speak with your dealer or distributor for maintenance and repairs.

DAILY PRE-OPERATIONAL SAFETY CHECKLIST

INSPECTION AREA	INSPECTION CRITERIA
General	<ul style="list-style-type: none"> • Make sure that all parts are correctly installed. • Make sure that all nuts, bolts, and screws are tight. • Replace missing, worn, or damaged items.
Decals	<ul style="list-style-type: none"> • Make sure all safety, regulatory, and marketing decals are correctly installed. • Clean the decals with a soft moist cloth. • Replace missing, worn, or damaged decals.
Tires	<ul style="list-style-type: none"> • Examine for wear and damage. • Replace worn or damaged tires. • Make sure that the tire pressure is correct.
Roll-Over Protection System	<ul style="list-style-type: none"> • Make sure that all parts are correctly installed. • Make sure that all nuts, bolts, and screws are tight. • Replace missing, worn, or damaged items.
Seat Belts	<ul style="list-style-type: none"> • Examine seat belt straps for damage. • Examine seat belts for loose parts. • Replace missing, worn, or damaged items. • Make sure that the seat belt latch plate clicks when pushed into the buckle. Pull up on the latch plate to make sure it is secure.
Battery	<ul style="list-style-type: none"> • Make sure that all battery hold-downs are tight. • Make sure that the battery cables are correctly attached. Tighten as necessary. • Examine the battery posts for corrosion. If corrosion is found, remove the corrosion.
Engine Oil	<ul style="list-style-type: none"> • Examine the oil level. Add oil as necessary.
Engine and Muffler	<ul style="list-style-type: none"> • Make sure that the engine and exhaust system areas are free of debris. Use a brush or compressed air to remove any debris.
Engine Fuel	<ul style="list-style-type: none"> • Examine the fuel system for leakage. • Examine the fuel level. Add fuel as necessary. • Replace missing, worn, or damaged items.

INSPECTION AREA	INSPECTION CRITERIA
Engine Air Filter	<ul style="list-style-type: none"> Examine the air filter. Replace if dirty or damaged.
Hydraulic Brakes	<ul style="list-style-type: none"> Examine the brake fluid level. Add brake fluid (DOT 5 only) as necessary.
Vehicle Performance Inspection	<ul style="list-style-type: none"> Do a vehicle performance inspection.

VEHICLE PERFORMANCE INSPECTION

Before the vehicle performance inspection:

- Read and obey all safety decals and information located on the vehicle.
- Understand how to operate the vehicle correctly and safely.
- Understand the function of all vehicle controls, indicators, displays, and gauges.
- Front wheels are turned in the direction of travel.
- No obstructions are in the vehicle's path.

During the vehicle performance inspection:

- Listen for unusual noises such as squeaks or rattles.
- Examine the ride and performance of the vehicle.
- Examine the steering. The vehicle must be easy to steer and must not have play in the steering wheel.
- The vehicle must stop smooth and straight. The brake pedal must not be able to be pushed to the floorboard. Have a trained technician do a brake system check if:
 - The vehicle swerves.
 - The brake pedal goes more than half the distance to the floorboard with moderate pressure applied.
 - The vehicle does not stop.

To do the vehicle performance inspection:

1. Start the engine.
2. Push and hold the brake pedal.
3. Set the Forward / Neutral / Reverse control (FNR) to R. Make sure that the multi-purpose buzzer operates.
4. Release the brake pedal.
5. Slowly push the accelerator pedal. Make sure the vehicle moves in reverse.
6. Slowly push the brake pedal. Stop the vehicle.
7. Set the FNR to F. Make sure that the multi-purpose buzzer does not operate.
8. Release the brake pedal.

9. Slowly push the accelerator pedal. Make sure that the vehicle moves forward.
10. Operate the vehicle to full speed.
11. Release the accelerator pedal. Make sure:
 - 11.A The accelerator pedal goes back to its initial position.
 - 11.B The engine idles.
12. Slowly push the brake pedal. Stop the vehicle.
13. Release the brake pedal.
14. Slowly push the accelerator pedal. Operate the vehicle to its maximum speed. Adjust the governor as necessary to keep the vehicle at or below the maximum speed limit.
15. Slowly push the brake pedal. Stop the vehicle.
16. Park the vehicle on a grade of 20% or less. Make sure that the park brake holds the vehicles position.

VEHICLE MOVEMENT

OVERVIEW

Operate the vehicle only after you read, understand, and know:

- The Driving Instructions
- Indicators
- Gauges
- Displays
- Controls

ENGINE START

DANGER

THE ENGINE PRODUCES THE DEADLY POISON CARBON MONOXIDE. DO NOT OPERATE THE ENGINE IN AN ENCLOSED AREA WITHOUT CORRECT VENTILATION.

WARNING

MOVING PARTS CAN CRUSH AND CUT. KEEP CLEAR OF THE ENGINE COMPARTMENT WHILE THE ENGINE IS ON.

NOTICE

TRYING TO START THE VEHICLE AGAIN AND AGAIN WITH AN EMPTY FUEL TANK WILL CAUSE FUEL PUMP DAMAGE. DO NOT TRY TO START A VEHICLE WHEN THE FUEL TANK IS EMPTY. MAKE SURE THAT THERE IS FUEL IN THE FUEL TANK BEFORE VEHICLE OPERATION.

Before engine start:

- Read and obey all safety decals and information located on the vehicle.
- Understand how to operate the vehicle correctly and safely.
- Understand the function of all vehicle controls, indicators, displays, and gauges.

- Make sure that all passengers are seated with their seat belt fastened and use the hand holds or handrails. The operator must have both hands on the steering wheel.
- Front wheels are turned in the direction of travel.
- No obstructions are in the vehicle's path.
- Forward / Neutral / Reverse control (FNR) is set to N.
- The park brake is set.
- The accelerator pedal is not pushed.
- The vehicle is at a full stop.

To start the engine:

1. Put the key into the key switch.
2. Turn and hold the key to START. Release the key after the engine starts. If the engine does not start after 10 to 15 seconds:
 - 2.A Turn the key to OFF.
 - 2.B Engage the choke.
 - 2.C Try to start the engine again.
 - 2.D Once the engine starts, disengage the choke.
3. Turn and hold the key to START. Release the key after the engine starts. If the engine does not start after 10 to 15 seconds:
 - 3.A Release the key.
 - 3.B Engage the choke.
 - 3.C Try to start the engine again.
 - 3.D Once the engine starts, disengage the choke.

TURN OFF ENGINE

1. Release the accelerator pedal.
2. Stop the vehicle.
3. Engage the park brake to lock the wheels.
4. Set the Forward / Neutral / Reverse control (FNR) to N.
5. Turn the key to OFF.
6. Remove the key. Keep the key in a safe area.

FORWARD MOVEMENT



FAILURE TO DECREASE THE VEHICLE SPEED IN BAD DRIVING CONDITIONS CAN CAUSE PROPERTY DAMAGE, SERIOUS PERSONAL INJURY, OR DEATH. DECREASE THE VEHICLE SPEED WHEN IN BAD DRIVING CONDITIONS SUCH AS WET GRASS OR ROUGH TERRAIN.

Before forward movement:

- Read and obey all safety decals and information located on the vehicle.
- Understand how to operate the vehicle correctly and safely.
- Understand the function of all vehicle controls, indicators, displays, and gauges.
- Make sure that all passengers are seated with seat belts fastened (if equipped) and use the hand holds or handrails. The operator must have both hands on the steering wheel.
- Make sure that the front wheels are turned in the direction of travel.
- Make sure that there are no obstructions in the vehicles path.
- The engine is on.
- The vehicle is at a full stop.

To move the vehicle forward:

1. Set the Forward / Neutral / Reverse control (FNR) to F.
2. Disengage the park brake.
3. Slowly push the accelerator pedal.

REVERSE MOVEMENT



FAILURE TO DECREASE THE VEHICLE SPEED WHEN IN REVERSE CAN CAUSE PROPERTY DAMAGE, SERIOUS PERSONAL INJURY, OR DEATH. DECREASE THE VEHICLE SPEED WHEN IN REVERSE AND PREVENT SUDDEN STOPS.

Before reverse movement:

- Read and obey all safety decals and information located on the vehicle.
- Understand how to operate the vehicle correctly and safely.
- Understand the function of all vehicle controls, indicators, displays, and gauges.
- Make sure that all passengers are seated with seat belts fastened (if equipped) and use the hand holds or handrails. The operator must have both hands on the steering wheel.
- Make sure that the front wheels are turned in the direction of travel.
- Make sure that there are no obstructions are in the vehicles path.
- The engine is on.
- The vehicle is at a full stop.

To move the vehicle in reverse:

1. Set the Forward / Neutral / Reverse control (FNR) to R. Make sure that the multi-purpose buzzer operates.
2. Disengage the park brake.
3. Slowly push the accelerator pedal.

SLOW OR STOP THE VEHICLE

1. Release the accelerator pedal.

2. Push the brake pedal.

PARK THE VEHICLE

1. Stop the vehicle.
2. Engage the park brake to prevent vehicle movement.
3. Set the Forward / Neutral / Reverse control (FNR) to N.
4. Turn the key to OFF.
5. Remove the key. Keep the key in a safe area.

DRIVING CONDITIONS

UPHILL SLOPE



VEHICLE ROLL-OVER CAN CAUSE SERIOUS PERSONAL INJURY OR DEATH. PREVENT STOPPING ON A HILL WHEN TOWING OR WITH A LOADED VEHICLE. IF A VEHICLE WITH A LOAD IS STOPPED ON A HILL, PREVENT SUDDEN STARTS, ROLLING BACKWARD, AND SUDDEN STOPS.

DO NOT USE THE ACCELERATOR PEDAL TO HOLD THE VEHICLE POSITION ON A SLOPE. WHEN STOPPED ON A SLOPE, USE THE BRAKE PEDAL TO HOLD THE VEHICLE POSITION.

TO PREVENT ROLL-OVER, OPERATE THE VEHICLE SLOWLY STRAIGHT UP AND DOWN SLOPES. DO NOT OPERATE THE VEHICLE ON SLOPES THAT ARE MORE THAN A 20% GRADE.

VEHICLE ROLLBACK WHEN STARTING ON AN INCLINE CAN CAUSE PROPERTY DAMAGE, SERIOUS PERSONAL INJURY, OR DEATH. USE THE BRAKE PEDAL TO HOLD THE VEHICLE UNTIL THE DRIVETRAIN IS FULLY ENGAGED.

Precautions when on an uphill slope:

- Prevent driving on slopes that exceed 20% grade.
- Always examine the terrain carefully before driving on a slope. Do not drive on a slope with slippery or loose surfaces.
- Keep your feet on the floorboard.
- Drive in a straight line on the slope.
- Prevent driving at an offset angle. An offset angle will cause the vehicle to lean sharply to one side.
- Continue at a stable rate of speed. Do not accelerate quickly.
- Do not stop a vehicle with a load on a slope. If a vehicle with a load must stop on a slope, prevent backwards movement or sudden starts or stops.
- Do not go over the top of a hill at high speed. Obstacles, sharp drop-offs, other vehicles, or persons could be on the other side of the hill.

SIDE HILL SLOPE

WARNING

TO PREVENT ROLL-OVER, PROPERTY DAMAGE, AND SERIOUS PERSONAL INJURY, OPERATE THE VEHICLE SLOWLY ON A SLOPE.

VEHICLE ROLLBACK WHEN STARTING ON AN INCLINE CAN CAUSE PROPERTY DAMAGE, SERIOUS PERSONAL INJURY, OR DEATH. USE THE BRAKE PEDAL TO HOLD THE VEHICLE UNTIL THE DRIVETRAIN IS FULLY ENGAGED.

Vehicle operation on a side hill slope is not recommended.

Precautions if driving on a side hill slope is unavoidable:

- Prevent driving on slopes that exceed 10% grade.
- Decrease vehicle speed.
- Use extreme caution.
- Always examine the terrain carefully before driving on a slope. Do not drive on a slope with slippery or loose surfaces.
- Keep your feet on the floorboard.
- Continue at a stable rate of speed. Do not accelerate quickly.

DOWNHILL SLOPE

WARNING

VEHICLE ROLL-OVER CAN CAUSE SERIOUS PERSONAL INJURY OR DEATH. PREVENT STOPPING ON A HILL WHEN TOWING OR WITH A LOADED VEHICLE. IF A VEHICLE WITH A LOAD IS STOPPED ON A HILL, PREVENT SUDDEN STARTS, ROLLING BACKWARD, AND SUDDEN STOPS.

TO PREVENT ROLL-OVER, OPERATE THE VEHICLE SLOWLY STRAIGHT UP AND DOWN SLOPES. DO NOT OPERATE THE VEHICLE ON SLOPES THAT ARE MORE THAN A 20% GRADE.

USE THE BRAKE PEDAL TO CONTROL THE VEHICLE SPEED WHEN DRIVING DOWN A SLOPE.

THE OPERATOR MUST CONTROL THE VEHICLE SPEED WHEN GOING DOWN A SLOPE.

VEHICLE ROLLBACK WHEN STARTING ON AN INCLINE CAN CAUSE PROPERTY DAMAGE, SERIOUS PERSONAL INJURY, OR DEATH. USE THE BRAKE PEDAL TO HOLD THE VEHICLE UNTIL THE DRIVETRAIN IS FULLY ENGAGED.

Precautions when on a downhill slope:

- Prevent driving on slopes that exceed 20% grade.
- Always examine the terrain carefully before driving on a slope. Do not drive on a slope with slippery or loose surfaces.
- Keep the heavy end of the vehicle uphill.
- Keep your feet on the floorboard.
- Drive in a straight line on the slope.

- Prevent driving at an offset angle. An offset angle will cause the vehicle to lean sharply to one side.
- Continue at a stable rate of speed. Do not accelerate quickly.
- Decrease the vehicle speed.
- Push the brake pedal gradually to slow the vehicle.

OVER OBSTACLES

Driving over obstacles is not recommended and should be avoided.

Precautions if driving over obstacles is unavoidable:

- Always examine the terrain for obstacles before driving in a new area.
- Look forward and learn to read the terrain. Be constantly alert for hazards.
- Drive slowly and use caution when operating on unfamiliar terrain. Not all obstacles are immediately visible.
- Do not drive over large obstacles such as large rocks and fallen trees.

BELOW OBSTACLES

 **WARNING**

DO NOT OPERATE THE VEHICLE BELOW OBJECTS WITH A HEIGHT THAT IS LESS THAN THE HEIGHT OF THE VEHICLE.

Driving below obstacles is not recommended.

Precautions if operation below obstacles is unavoidable:

- Always examine the terrain for obstacles before driving in a new area.
- Look forward and learn to read the terrain. Be constantly alert for low hanging obstacles such as tree limbs.
- Drive slowly and use caution when operating on unfamiliar terrain. Not all obstacles are immediately visible.

NIGHT TIME

 **DANGER**

OPERATING THE VEHICLE AT NIGHT WITHOUT THE CORRECT EQUIPMENT CAN CAUSE PROPERTY DAMAGE, SERIOUS PERSONAL INJURY, OR DEATH. TO OPERATE THE VEHICLE AT NIGHT, THE VEHICLE MUST HAVE HEADLIGHTS, TAILLIGHTS, AND REFLECTORS.

Vehicle operation at night is not recommended. When driving at night is unavoidable, the vehicle must have:

- Headlights
- Taillights
- Reflectors

Precautions if driving at night is unavoidable:

- Always have headlights on.
- Always examine the terrain for obstacles before driving in a new area.

- Look forward and learn to read the terrain. Be constantly alert for hazards.
- Drive slowly and use caution when operating on unfamiliar terrain. Not all obstacles are immediately visible.

THROUGH WATER

WARNING

DRIVING THROUGH WATER CAN DECREASE BRAKE PERFORMANCE. AFTER DRIVING THROUGH WATER, LIGHTLY PUSH THE BRAKE PEDAL TO CHECK THE BRAKE PERFORMANCE. IF THE VEHICLE SPEED DOES NOT DECREASE AT A NORMAL RATE, CONTINUE TO PUSH THE BRAKE PEDAL UNTIL THE BRAKE PERFORMANCE IS BACK TO NORMAL.

Vehicle operation through water is not recommended and should be avoided.

Precautions when driving through water is unavoidable:

- Decrease the vehicle speed.
- Use extreme caution.
- Do not drive through water that is more than 3 inches (7.62 cm) deep.

WITH CARGO

WARNING

BEFORE A LOAD IS PUT IN THE VEHICLE, ENGAGE PARK BRAKE TO LOCK THE WHEELS.

CAUTION

THE CARGO IN THE VEHICLE CAN MOVE AND AFFECT THE HANDLING, STEERING, AND BRAKES. DO NOT HAVE TOP HEAVY LOADS. SECURE THE CARGO. REDUCE THE SPEED OF THE VEHICLE AND TURN SLOW.

NOTICE

A LOAD ON THE TAILGATE IN THE VERTICAL OR HORIZONTAL POSITION CAN CAUSE PROPERTY DAMAGE. DO NOT PUT A LOAD ON THE TAILGATE. CLOSE THE TAILGATE WHILE THE VEHICLE OPERATES.

Hauling cargo incorrectly can change the vehicles handling and may cause loss of control or brake instability, which can cause serious injury or death.

Precautions when operating with cargo:

- Always read and understand the load distribution warnings listed on the safety labels. The total load (operator, passenger, accessories, cargo and weight on hitch) must not exceed the maximum weight capacity of the vehicle. Do not exceed the published capacities.
- Do not exceed the maximum weight capacity of the vehicle. When determining added weight to the vehicle, include the weight of the operator, passenger, accessories, loads in the rack or box and the load on the trailer tongue. The combined weight of these items must not exceed the maximum weight capacity.
- Keep the heavy end of the vehicle uphill.
- Always load the cargo box with the load as far forward and as low as possible.
- Always operate the vehicle with extreme caution when hauling or towing loads.

- Secure all loads before operating. Unsecured loads can cause unstable operating conditions, which could cause loss of vehicle control.
- Operate only with stable and safely arranged loads. When handling off-centered loads that cannot be centered, correctly fasten the load and operate with extra caution. Always attach the tow load to the hitch point designated for the vehicle.
- Heavy loads can cause braking and control problems. Use extreme caution when applying brakes with a loaded vehicle. Avoid terrain or situations that may require backing downhill. Use extreme caution when operating with loads that extend over the rack sides.
- Stability and maneuverability may be adversely affected, causing a roll over.
- Slow down and drive in the lowest gear available.
- Decrease speed and allow a greater distance for breaking when hauling cargo.
- When operating over rough or hilly terrain, decrease speed and cargo to maintain stable driving conditions.
- Do not move faster than the recommended speeds. Vehicle should never exceed 10 mph (16 km/h) while towing a load on a level grass surface. Vehicle speed should never exceed 5 mph (8 km/h) when towing loads in rough terrain, while cornering, or while climbing or going down a hill.

(Page intentionally left blank.)



7

VEHICLE MAINTENANCE

⚠ DANGER

FUEL IS FLAMMABLE AND EXPLOSIVE. DO NOT SMOKE. KEEP SPARKS AND OPEN FLAMES AWAY FROM THE VEHICLE AND SERVICING AREA. DO THE SERVICING OF THE VEHICLE IN A VENTILATED AREA.

INCORRECT OPERATION OF THE CARGO BED CAN CAUSE SERIOUS PERSONAL INJURY OR DEATH. KEEP ALL PERSONS CLEAR OF THE CARGO BED AREA WHEN THE CARGO BED IS LIFTED, LOWERED, OR DURING MAINTENANCE. KEEP HANDS CLEAR OF ALL CRUSH AREAS. DO NOT LET THE CARGO BED FALL. BEFORE THE CARGO BED IS LIFTED, REMOVE ALL CARGO AND ACCESSORIES FROM THE CARGO BED. CORRECTLY ENGAGE THE PROP ROD. CAREFULLY LOWER THE CARGO BED.

A WHEEL OR TIRE THAT HAS DAMAGE CAN CAUSE PROPERTY DAMAGE, SERIOUS PERSONAL INJURY, OR DEATH. DO NOT TRY TO REPAIR A WHEEL OR TIRE. SPEAK WITH YOUR LOCAL DEALER OR DISTRIBUTOR FOR REPAIRS.

⚠ WARNING

UNINTENDED VEHICLE OPERATION CAN CAUSE SERIOUS PERSONAL INJURY OR DEATH. BEFORE LEAVING THE VEHICLE OR DURING VEHICLE MAINTENANCE, DISABLE THE VEHICLE.

ONLY TRAINED TECHNICIANS SHOULD SERVICE OR REPAIR THE VEHICLE. ANYONE DOING EVEN SIMPLE REPAIRS OR SERVICE SHOULD HAVE KNOWLEDGE AND EXPERIENCE IN ELECTRICAL AND MECHANICAL REPAIR. THE APPROPRIATE INSTRUCTIONS MUST BE USED WHEN PERFORMING MAINTENANCE, SERVICE, OR ACCESSORY INSTALLATION.

FAILURE TO CORRECTLY MAINTAIN THE VEHICLE AND MAKE NECESSARY REPAIRS CAN DECREASE VEHICLE PERFORMANCE, CAUSE A FIRE, PROPERTY DAMAGE, SERIOUS PERSONAL INJURY, OR DEATH. IF PROBLEMS ARE FOUND DURING SCHEDULED INSPECTION OR SERVICE, OPERATE THE VEHICLE ONLY WHEN REPAIRS ARE MADE.

A HOT ENGINE AND EXHAUST SYSTEM WILL CAUSE SERIOUS BURNS. DO NOT TOUCH A HOT ENGINE OR EXHAUST. BEFORE SERVICING, LET THE ENGINE AND EXHAUST SYSTEM COOL.

MOVING PARTS CAN CRUSH AND CUT. DO NOT DO THE VEHICLE MAINTENANCE WITH THE ENGINE ON.

UNINTENTIONAL VEHICLE STARTUP CAN CAUSE A FIRE, PROPERTY DAMAGE, OR SERIOUS PERSONAL INJURY. DISCONNECT THE BATTERY.

DO NOT WORK ON THE VEHICLE POWERTRAIN WHEN THE VEHICLE IS LOADED.

ELECTRICAL SHORTS CAN CAUSE A FIRE, ELECTRICAL SHOCK, SERIOUS PERSONAL INJURY, OR DEATH. PREVENT CONTACT BETWEEN POSITIVE VOLTAGE AND THE GROUND CIRCUIT. USE INSULATED TOOLS.

DO NOT WEAR LOOSE CLOTHING OR JEWELRY SUCH AS RINGS, WATCHES, CHAINS, ETC., WHEN SERVICING THE VEHICLE.

DO NOT WORK ON VEHICLE POWERTRAIN OR UNDER THE CARGO BED WHEN IT IS LOADED.

LIFT ONLY ONE END OF THE VEHICLE AT A TIME. USE A SUITABLE LIFTING DEVICE WITH 1000 LB (454 KG) MINIMUM LIFTING CAPACITY. DO NOT USE THE LIFTING DEVICE TO HOLD THE VEHICLE IN THE LIFTED POSITION. USE APPROVED JACK STANDS OF PROPER WEIGHT CAPACITY TO SUPPORT THE VEHICLE AND CHOCK THE WHEELS THAT REMAIN ON THE FLOOR.

IF WIRES ARE REMOVED OR REPLACED, MAKE SURE THAT THE WIRING AND WIRE HARNESS ARE CORRECTLY ROUTED AND ATTACHED. FAILURE TO CORRECTLY ROUTE AND ATTACH THE WIRING COULD RESULT IN VEHICLE MALFUNCTION, PROPERTY DAMAGE, SERIOUS PERSONAL INJURY, OR DEATH.

CAUTION

WEAR SAFETY GLASSES OR APPROVED EYE PROTECTION WHEN YOU DO THE SERVICING OF THE VEHICLE. WEAR RUBBER GLOVES WHEN YOU CHANGE THE ENGINE OIL.

WEAR SAFETY GLASSES OR APPROVED EYE PROTECTION WHEN YOU DO THE SERVICING OF THE VEHICLE. WEAR A FULL FACE SHIELD AND RUBBER GLOVES WHEN NEAR BATTERIES.

DISABLE THE VEHICLE

WARNING

UNINTENDED VEHICLE OPERATION CAN CAUSE SERIOUS PERSONAL INJURY OR DEATH. BEFORE LEAVING THE VEHICLE OR DURING VEHICLE MAINTENANCE, DISABLE THE VEHICLE.

1. Park the vehicle on a solid level surface.
2. Engage the park brake to prevent vehicle movement.
3. Turn the key to OFF.
4. Remove the key.
5. Set the Forward / Neutral / Reverse control (FNR) to N.
6. Put the chocks against the wheels.

VEHICLE CLEANING

CLEANING THE WINDSHIELD

Use a soft towel and water to clean the windshield. Use mild soap as necessary. Do not use a household window cleaner.

CLEANING THE VEHICLE EXTERIOR

NOTICE

MOISTURE CAN CAUSE ELECTRICAL COMPONENT DAMAGE. DO NOT USE A PRESSURE WASHER OR STEAM CLEANER TO CLEAN THE VEHICLE.

Use only commercially available automotive cleaners with a sponge or soft cloth for normal cleaning. A garden hose at normal residential water pressure is sufficient.

Use a commercially available aluminum cleaner paste and fine grade (No. 00) steel wool to remove oxidation or discoloration from aluminum.

Use non-abrasive wax products. Battery acid, fertilizers, tars, asphalt, creosote, paint, or chewing gum should be removed immediately to prevent possible stains.

Discard the waste water correctly.

CLEANING THE VEHICLE INTERIOR

NOTICE

MOISTURE CAN CAUSE ELECTRICAL COMPONENT DAMAGE. DO NOT USE A PRESSURE WASHER OR STEAM CLEANER TO CLEAN THE VEHICLE.

The seats of the vehicle will last longer with proper cleaning. Use a solution of 10% liquid soap and warm water applied with a soft cloth. Use a soft bristle brush to remove embedded dirt.

Discard the waste water correctly.

MAINTENANCE SCHEDULE

MAINTENANCE SCHEDULE OVERVIEW

A preventive maintenance program with regular maintenance can prevent excessive vehicle downtime and repair costs. Use these items to keep the vehicle in proper working condition.

- Daily Pre-Operation Safety Checklist
- Vehicle Performance Inspection
- Maintenance Service Schedule

If a vehicle is found to be in bad operational condition, remove it from operation. Removal from operation will prevent more damage to the vehicle and prevent the possible injury because of dangerous conditions.

Speak with your dealer or distributor for maintenance and repairs.

MAINTENANCE SERVICE SCHEDULE

Note: The Maintenance Service Schedule must be done more frequently on vehicles that are constantly subjected to heavy use or severe operating conditions.

INTERVAL	DESCRIPTION
<p>Daily</p>	<p>Do the Daily Pre-Operational Safety Check. Do the Daily Vehicle Performance Inspection.</p>
	<p>Examine the engine oil level.</p>
	<p>Examine the brake fluid level. Make sure that the brake pedal operates correctly.</p>
<p>Monthly</p>	<p>Examine the tire pressure.</p>
	<p>Examine the engine air passage. Clean as necessary. Clean the engine compartment as necessary.</p>
	<p>Clean the vehicle.</p>
	<p>Examine the transmission.</p>
	<p>Examine the front differential fluid level.</p>
	<p>Examine the rear differential fluid level.</p>
	<p>Lubricate the driveshafts.</p>
<p>50 hours / 6 months</p>	<p>Clean the battery.</p>
	<p>Have a trained technician examine the:</p> <ul style="list-style-type: none"> • electrical system • front wheel alignment • brake system
<p>Initial: 10 hours 100 hours / 12 months</p>	<p>Change the engine oil and oil filter.</p>
<p>Initial: 50 hours 100 hours / 12 months</p>	<p>Have a trained technician change the front differential fluid.</p>

INTERVAL	DESCRIPTION
100 hours / 12 months	Examine the vehicle for loose hardware. Tighten as necessary.
	Replace the air filter. If the vehicle is operated in dirty environments, replace the air filter more frequently Examine the air filter hose for damage. Make sure the air filter hose clamps are tight.
	Have a trained technician: <ul style="list-style-type: none"> • examine the spark plugs • examine the engine • change the fuel filter • adjust the valve clearance • examine the vehicle top speed • examine the safety decals
200 hours	Have a trained technician examine the drive belt.
Initial: 50 hours 300 hours / 12 months	Have a trained technician change the transmission and rear differential fluid.

MAINTENANCE TASKS

AIR FILTER

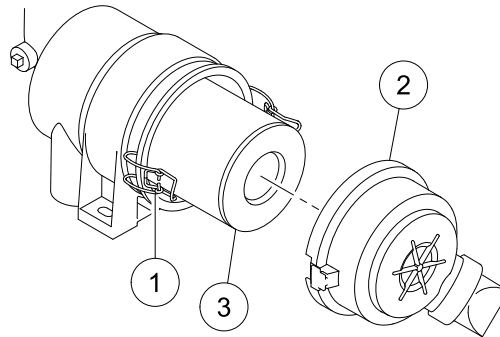
AIR FILTER REMOVAL

Before the air filter is removed:

- Disable the vehicle.

To remove the air filter:

1. Release the wire latches (1).

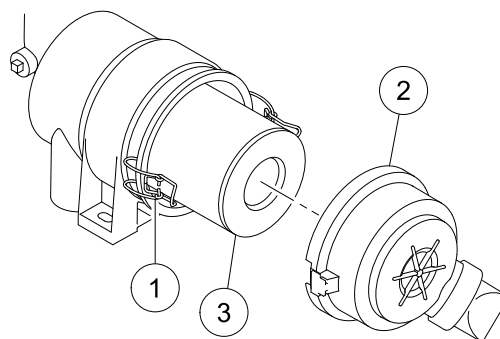


G-100398-000002

2. Remove the air cleaner cover (2).
3. Remove the air filter (3).

AIR FILTER INSTALLATION

1. Use a wet lint-free cloth to clean the inside of the air filter container.
2. Install the air filter (3).



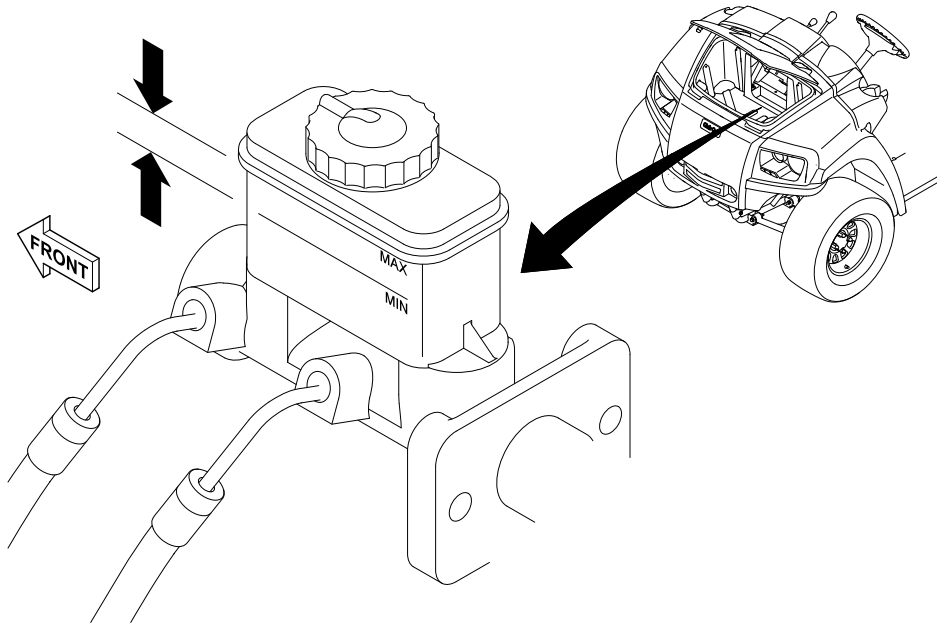
G-100398-000002

3. Install the air cleaner cover (2).
4. Engage the wire latches (1).

BRAKE FLUID LEVEL INSPECTION

1. Lift the hood.
2. Make sure that the brake fluid level is between the maximum and minimum indicators.

- If the brake fluid level is below the minimum indicator, have a trained technician do a check of the brake system.

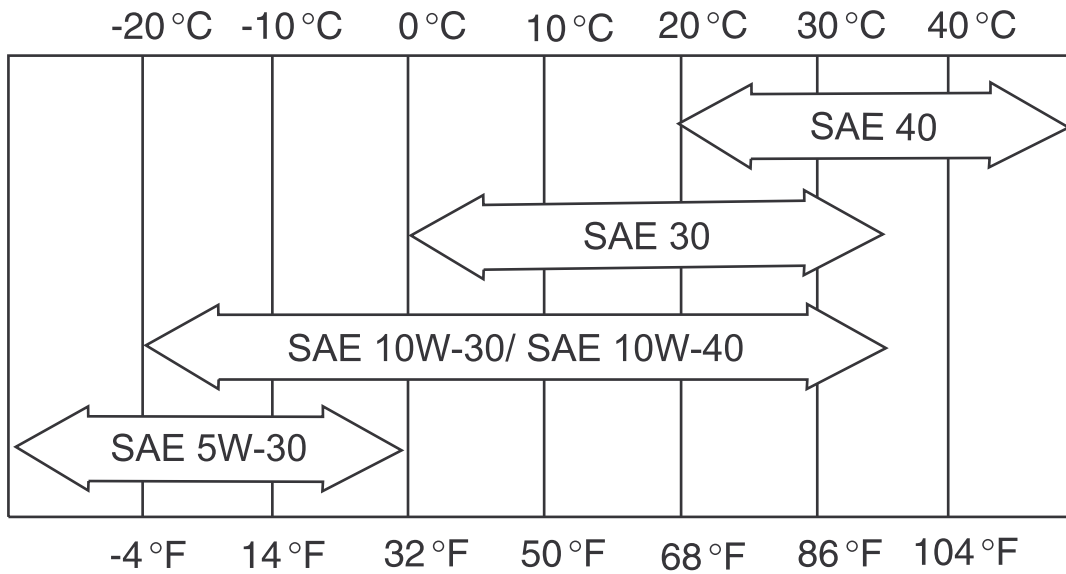


G-080097-000002

ENGINE OIL

ENGINE OIL VISCOSITY

Select the engine oil viscosity for your environmental conditions.



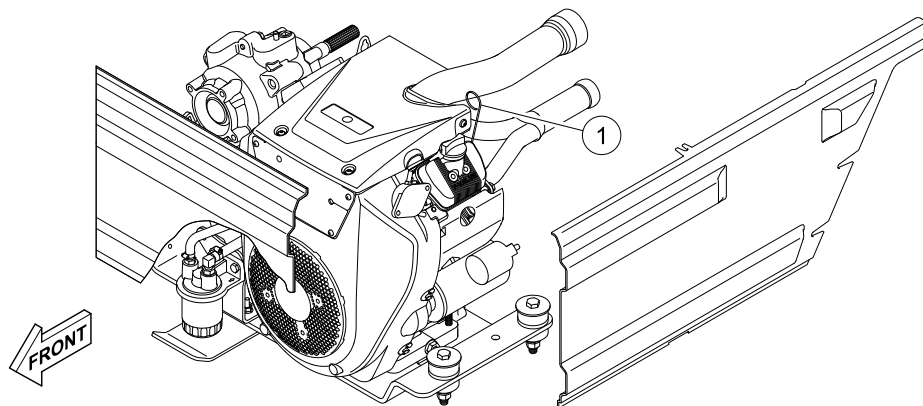
ENGINE OIL LEVEL INSPECTION

Before the engine oil is examined:

- Disable the vehicle.

To examine the engine oil:

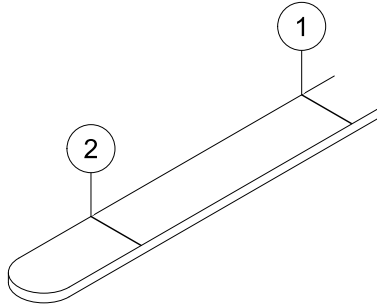
1. Remove the dipstick (1).



G-040698-000005

2. Make sure that there is oil on the dipstick.
3. Install the dipstick.
4. Start and operate the engine for three minutes. If the low oil warning light stays on, turn off the engine immediately.

5. Turn off the engine.
6. Wait two minutes.
7. Remove and clean the dipstick.
8. Install the dipstick.
9. Remove the dipstick.
10. Make sure that the oil level is between the maximum (1) and minimum (2) indicators.



G-040698-000001

11. If the oil level is below the minimum indicator, add engine oil.
12. Install the dipstick.

ENGINE OIL REPLACEMENT

CAUTION

HOT ENGINE OIL WILL CAUSE SKIN BURNS. DO NOT CHANGE THE ENGINE OIL WHEN THE ENGINE IS HOT. LET THE ENGINE TEMPERATURE DECREASE BEFORE THE OIL IS CHANGED.

NOTICE

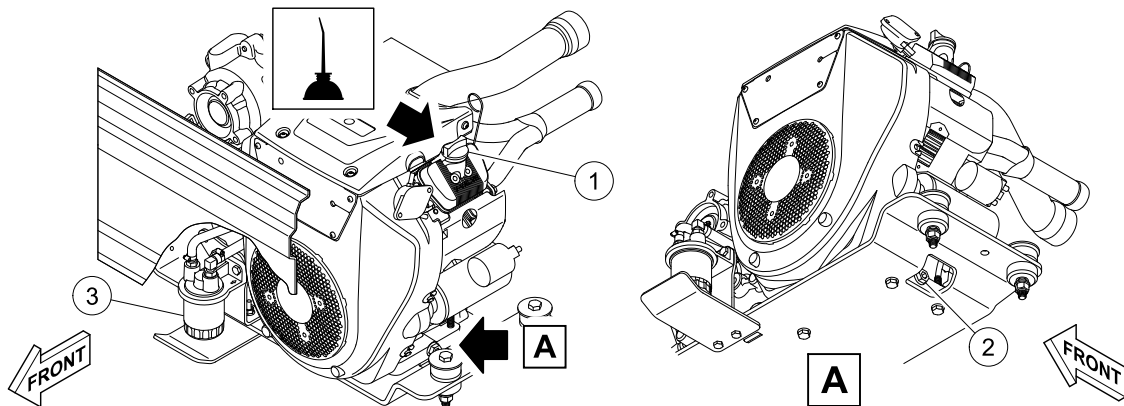
TOO MUCH ENGINE OIL CAN DECREASE ENGINE PERFORMANCE AND DAMAGE THE ENGINE. DO NOT EXCEED THE RECOMMENDED ENGINE OIL CAPACITY.

Before the engine oil is replaced:

- Disable the vehicle.
- Disconnect the battery.

To replace the engine oil:

1. Remove the oil fill cap (1).



G-040698-000006

2. Clean the area around the oil drain plug (2) and oil filter (3).
3. Put a drain pan below the oil drain plug.
4. Remove the oil drain plug.
5. Drain the oil fully.
6. Clean the oil drain plug.
7. Examine the o-ring on the oil drain plug for damage. Replace if necessary.
8. Install the oil drain plug and tighten to 14.5 lb·ft (19.6 N·m).
9. Put a drain pan below the oil filter.
10. Remove and discard the oil filter.
11. Clean the oil filter contact surface on the engine.
12. Apply a thin layer of oil to the new oil filter gasket.
13. Install the new oil filter until the gasket touches the contact surface.
14. Tighten the oil filter 3/4-turn with your hand.
15. Add 1.6 qt (1.5 l) of recommended engine oil.
16. Install the oil fill cap.
17. Connect the battery.
18. Start and operate the engine for three minutes.
19. Examine the oil filter for leaks. If there is a leak:
 - 19.A Turn off the engine.
 - 19.B Tighten the oil filter 1/4-turn.
 - 19.C Start and operate the engine for three minutes.
 - 19.D Examine the oil filter for leaks.
20. Turn off the engine.
21. Examine the engine oil level.

22. Speak with your dealer or distributor to get more information on how to recycle the used engine oil and filter correctly.

ADD ENGINE OIL

CAUTION

DO NOT REMOVE THE DIPSTICK WHILE THE ENGINE IS ON.

NOTICE

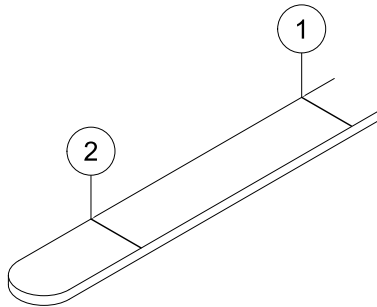
TOO MUCH ENGINE OIL CAN DECREASE ENGINE PERFORMANCE AND DAMAGE THE ENGINE. DO NOT EXCEED THE RECOMMENDED ENGINE OIL CAPACITY.

Before engine oil is added:

- Disable the vehicle.

To add engine oil:

1. Remove the oil fill cap.
2. Add engine oil until the oil level is between the maximum (1) and minimum (2) indicators.



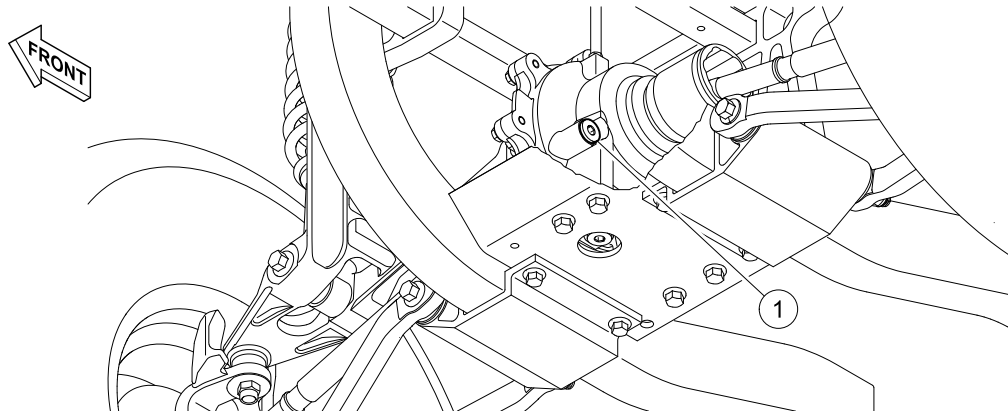
G-040698-000001

3. Install the oil fill cap.

FRONT DIFFERENTIAL FLUID LEVEL INSPECTION

1. Disable the vehicle.
2. Disconnect the battery.
3. Examine the seals. If there is a leak, have a trained technician do a check of the front differential.

- Remove the plug (1).



- Make sure that the fluid level is at the bottom of the hole.
- If the fluid level is low, add recommended fluid until the fluid level is at the bottom of the hole.
- Apply Loctite 567 on the threads of the plug.
- Install the plug. Tighten the plug to 108 lb·in (12 N·m).

REFUEL

⚠ DANGER

FUEL IS FLAMMABLE AND EXPLOSIVE. DO NOT ADD FUEL WITH THE KEY SWITCH SET TO ON. BEFORE FUEL IS ADDED, TURN THE KEY SWITCH TO OFF.

FUEL IS FLAMMABLE AND EXPLOSIVE. DO NOT FILL THE FUEL TANK WHEN THE ENGINE IS ON OR HOT. WAIT FOR THE ENGINE TEMPERATURE TO DECREASE BEFORE FUEL IS ADDED.

FUEL IS FLAMMABLE AND EXPLOSIVE. DO NOT OPERATE THE VEHICLE WHEN FUEL IS SPILLED. CORRECTLY CLEAN THE SPILLED FUEL.

FUEL IS TOXIC. DO NOT SIPHON FUEL FROM THE VEHICLE.

FUEL IS TOXIC. KEEP FUEL OUT OF REACH OF CHILDREN.

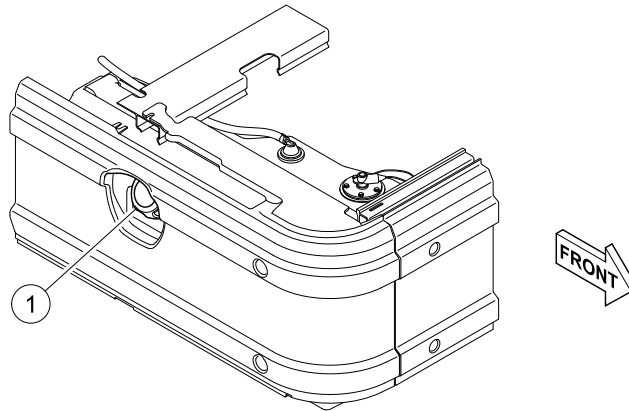
FUEL IS FLAMMABLE AND EXPLOSIVE. KEEP THE FUEL IN AN APPROVED FUEL CONTAINER. KEEP THE FUEL CONTAINER IN A VENTILATED AREA AWAY FROM SPARKS AND HEAT SOURCES.

FUEL IS FLAMMABLE AND EXPLOSIVE. TO AVOID ELECTRIC ARC CAUSED BY STATIC ELECTRICITY, THE FUEL STORAGE/PUMPING DEVICE MUST BE GROUNDED. IF THE PUMP IS NOT GROUNDED, THE VEHICLE MUST BE GROUNDED TO THE PUMP BEFORE AND DURING THE FUELING OPERATION.

NOTICE

A FUEL WITH AN ALCOHOL CONTENT THAT EXCEEDS 10% BY VOLUME (LIKE E15 AND E85) WILL CAUSE VEHICLE DAMAGE AND VOID THE WARRANTY. ONLY USE THE RECOMMENDED FUEL TYPE.

1. Turn the key to OFF.
2. Let the engine cool.
3. Remove the fuel fill cap (1).



G-100498-000002

4. Fill the fuel tank with the recommended fuel.
5. Install and tighten the fuel fill cap.

LIFT THE VEHICLE**LIFT THE FRONT OF THE VEHICLE****⚠ WARNING**

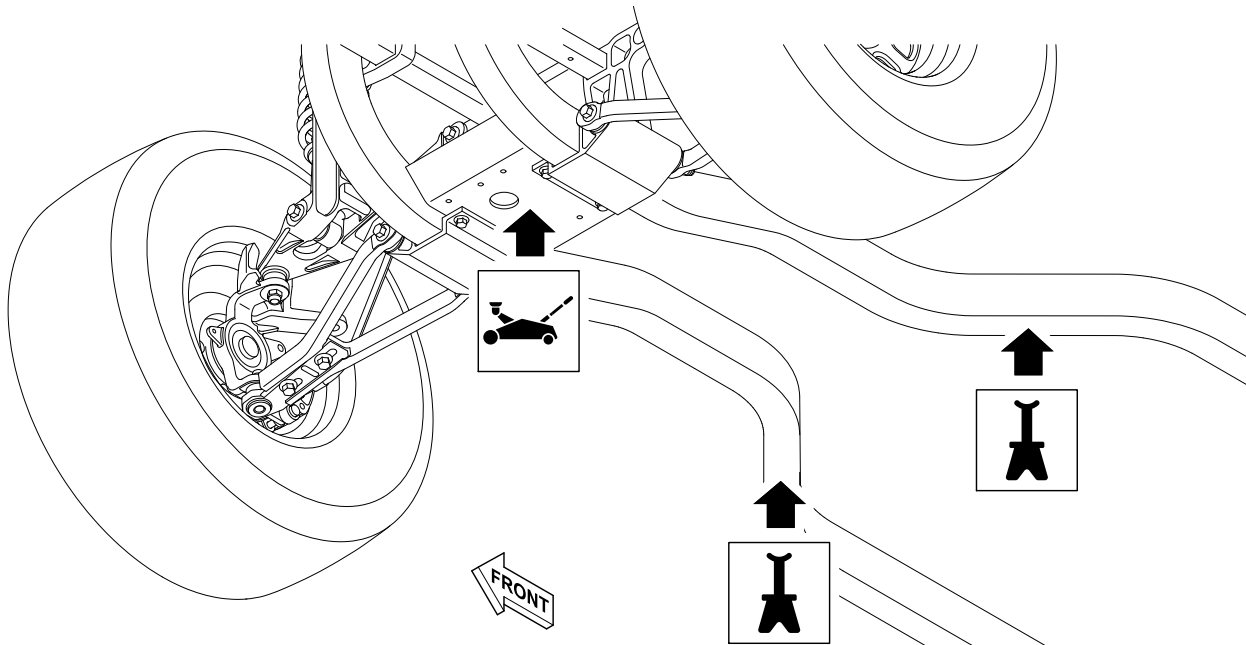
LIFTING THE VEHICLE WITH CARGO CAN CAUSE PROPERTY DAMAGE, SERIOUS PERSONAL INJURY, OR DEATH. REMOVE ALL CARGO FROM THE CARGO BED BEFORE THE VEHICLE IS LIFTED.

WHEN SERVICING THE VEHICLE WITH PART OF THE VEHICLE ON JACK STANDS, DO NOT OPERATE THE ENGINE WITH THE FORWARD / NEUTRAL / REVERSE CONTROL (FNR) IN EITHER THE FORWARD OR REVERSE POSITION. THE ALL-WHEEL DRIVE SYSTEM WILL ENGAGE ANY WHEELS, FRONT OR REAR, WITH TRACTION.

Before the vehicle is lifted:

- Disable the vehicle.
- Disconnect the battery.
- Use a jack and jack stands rated for the vehicle.

To lift the front of the vehicle:



1. Place the jack in the center of the lift point.
2. Lift the front of the vehicle.
3. Put jack stands under the frame rails.
4. Lower the vehicle onto the jack stands.

LIFT THE REAR OF THE VEHICLE

⚠ WARNING

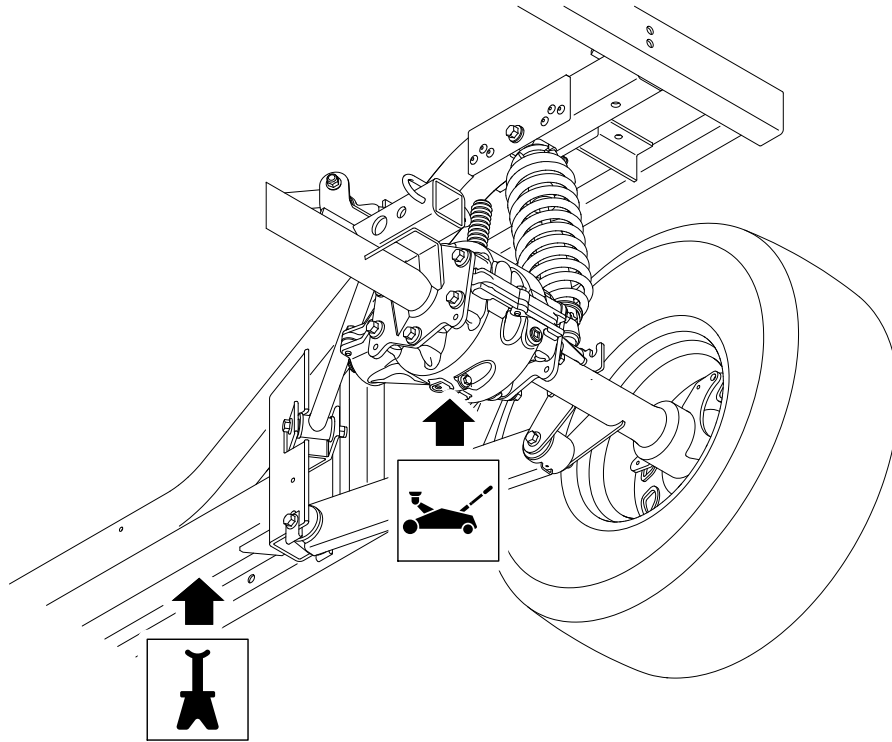
LIFTING THE VEHICLE WITH CARGO CAN CAUSE PROPERTY DAMAGE, SERIOUS PERSONAL INJURY, OR DEATH. REMOVE ALL CARGO FROM THE CARGO BED BEFORE THE VEHICLE IS LIFTED.

WHEN SERVICING THE VEHICLE WITH PART OF THE VEHICLE ON JACK STANDS, DO NOT OPERATE THE ENGINE WITH THE FORWARD / NEUTRAL / REVERSE CONTROL (FNR) IN EITHER THE FORWARD OR REVERSE POSITION. THE ALL-WHEEL DRIVE SYSTEM WILL ENGAGE ANY WHEELS, FRONT OR REAR, WITH TRACTION.

Before the vehicle is lifted:

- Disable the vehicle.
- Disconnect the battery.
- Use a jack and jack stands rated for the vehicle.

To lift the rear of the vehicle:



1. Place the jack in the center of the lift point.
2. Lift the rear of the vehicle.
3. Put jack stands under the frame rails.
4. Lower the vehicle onto the jack stands.

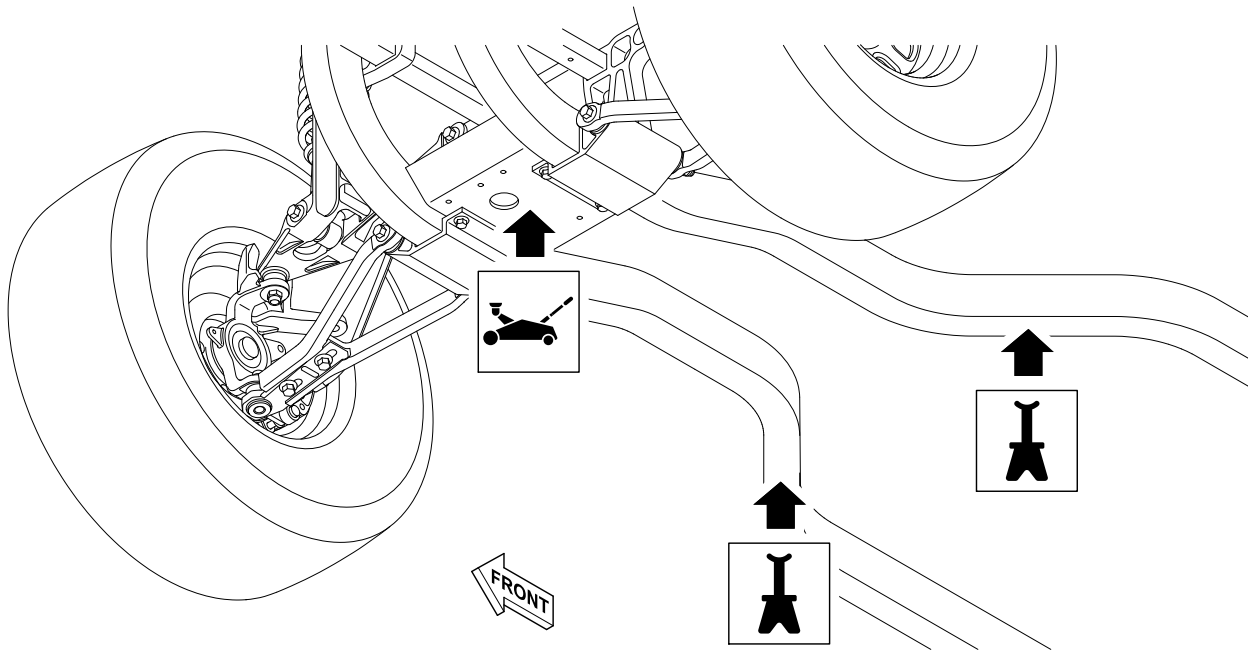
LOWER THE VEHICLE

LOWER THE FRONT OF THE VEHICLE

Before the front of the vehicle is lowered:

- Use a jack rated for the vehicle.

To lower the front of the vehicle:



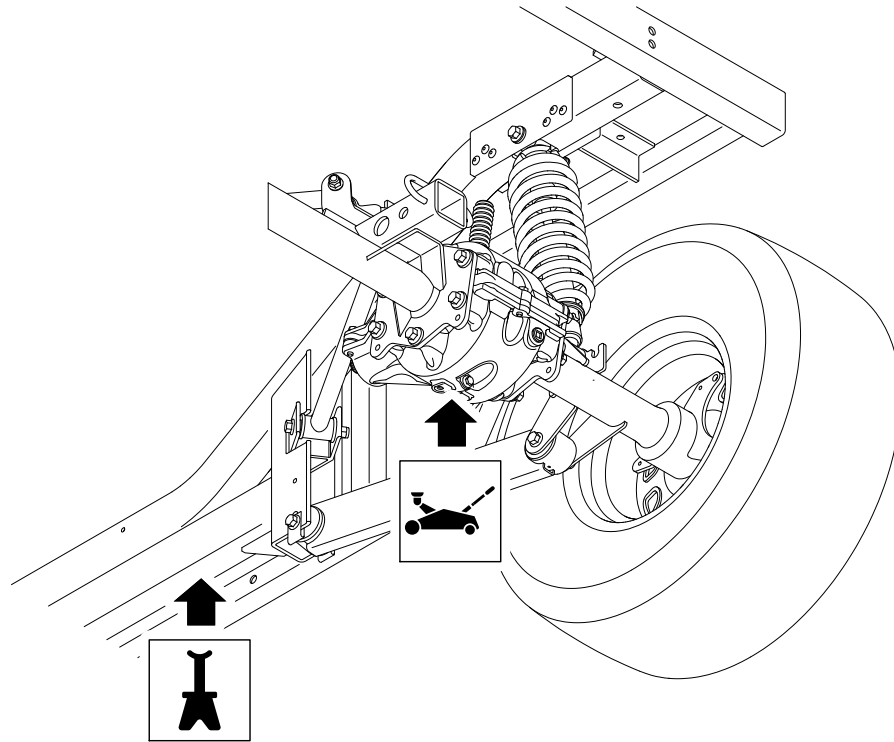
1. Place the jack in the center of the lift point.
2. Lift the vehicle off of the jack stands.
3. Remove the jack stands.
4. Lower the vehicle.

LOWER THE REAR OF THE VEHICLE

Before the rear of the vehicle is lowered:

- Use a jack rated for the vehicle.

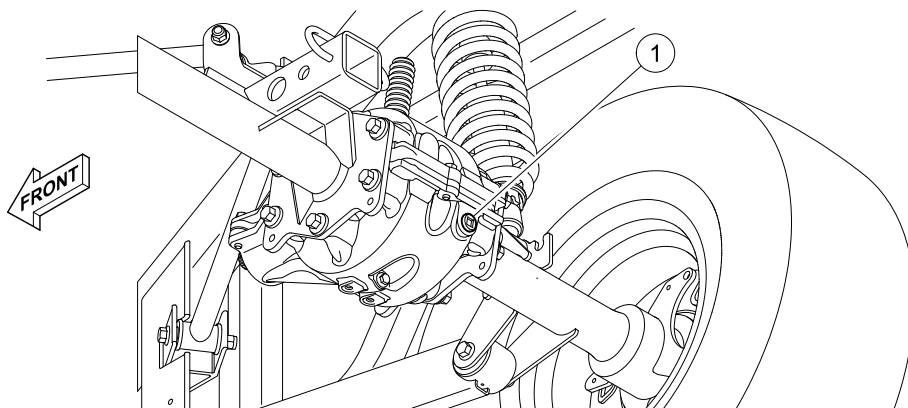
To lower the rear of the vehicle:



1. Place the jack in the center of the lift point.
2. Lift the vehicle off of the jack stands.
3. Remove the jack stands.
4. Lower the vehicle.

REAR DIFFERENTIAL FLUID LEVEL INSPECTION [SampleTaskID]

1. Disable the vehicle.
2. Disconnect the battery.
3. Examine the seals. If there is a leak, have a trained technician do a check of the rear differential.
4. Remove the plug (1).



G-070198-000001

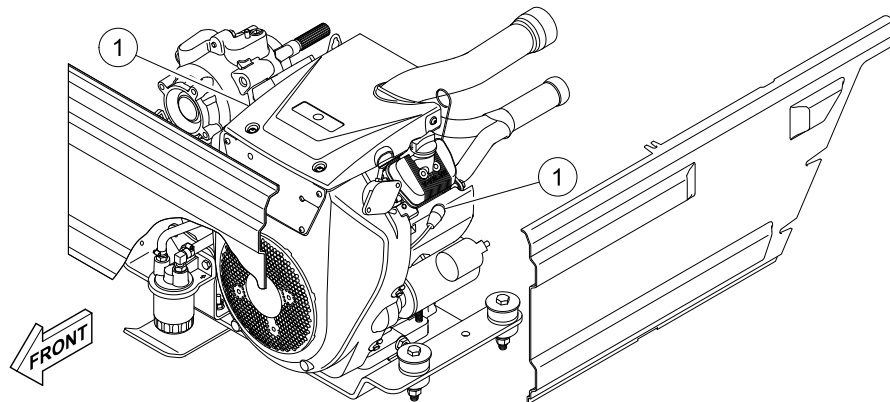
5. Make sure that the fluid level is at the bottom of the hole.
6. If the fluid level is low, add recommended fluid until the fluid level is at the bottom of the hole.
7. Apply Loctite® 567 on the threads of the plug.
8. Install the plug. Tighten the plug to 21 lb·ft (28 N·m).

SPARK PLUG

SPARK PLUG REMOVAL

Before the spark plug removal:

- Disable the vehicle.
 - Disconnect the battery.
1. Clean the spark plug area.
 2. Disconnect the spark plug wires (1).



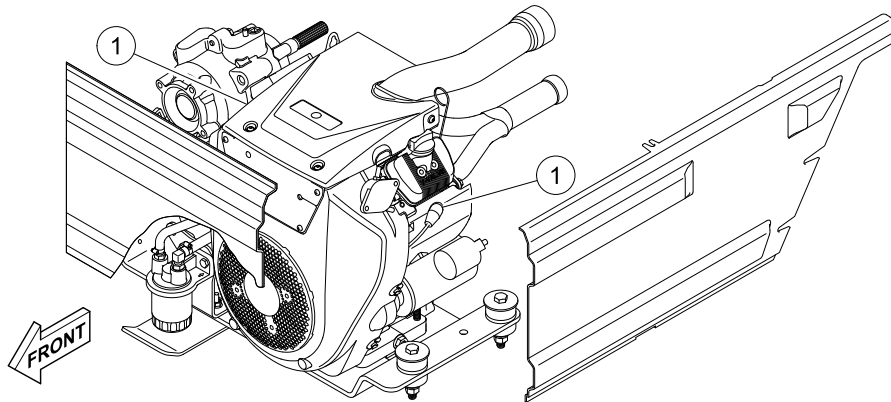
G-040798-000001

3. Use a spark plug socket to remove the spark plugs.

SPARK PLUG INSTALLATION

1. Apply a thin layer of high temperature antiseize lubricant to the spark plug threads.
2. Use a spark plug socket to install and tighten the spark plugs to 16 lb·ft (22 N·m).

3. Connect the spark plug wires (1).



G-040798-000001

4. Connect the battery.

TIRE PRESSURE MEASUREMENT

Before the tire pressure measurement:

- Disable the vehicle.

To measure the tire pressure:

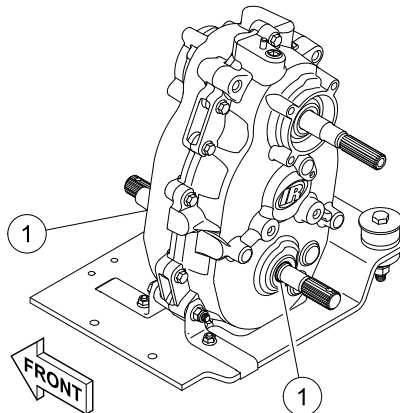
1. Remove the valve stem cap.
2. Use a pressure gauge to measure the tire pressure.
3. Adjust to meet the recommended tire pressure.

Note: Go to the approved wheel and tire assemblies matrix on <http://www.clubcar.com> for information regarding tire type, inflation pressure, and lug nut torque.

4. Install the valve stem cap.

TRANSMISSION INSPECTION

1. Disable the vehicle.
2. Disconnect the battery.
3. Examine the seals (1). If there is a leak, have a trained technician do a check of the transmission.



WHEEL ASSEMBLY

WHEEL ASSEMBLY REMOVAL

Before the wheel assembly is removed:

- Disable the vehicle.

To remove the wheel assembly:

1. Remove the wheel cover.
2. Loosen the lug nuts.
3. Lift the vehicle to allow for removal of the wheel assembly.
4. Remove the lug nuts.
5. Remove the wheel assembly.

WHEEL ASSEMBLY INSTALLATION

Before wheel assembly installation:

- Disable the vehicle.

To install the wheel assembly:

1. Lift the vehicle to allow for installation of the wheel assembly.
2. Align the wheel assembly onto the hub of the vehicle.

Note: Make sure that the valve stem points to the outer side of the vehicle.

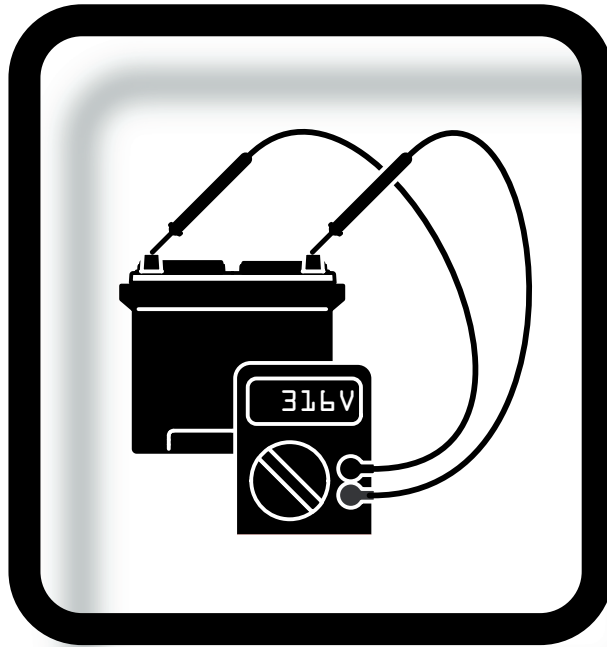
Note: Make sure that the tire tread is in the correct direction of travel.

3. Tighten the lug nuts until they are hand-tight.
4. Lower the vehicle.
5. Tighten the lug nuts to the recommended torque specification.

Note: Go to the approved wheel and tire assemblies matrix on <http://www.clubcar.com> for information regarding tire type, inflation pressure, and lugnut torque.

6. Install the wheel cover.

(Page intentionally left blank.)



8

BATTERY MAINTENANCE

⚠ WARNING

ELECTRICAL SHORTS CAN CAUSE A FIRE, ELECTRICAL SHOCK, SERIOUS PERSONAL INJURY, OR DEATH. PREVENT CONTACT BETWEEN POSITIVE VOLTAGE AND THE GROUND CIRCUIT. USE INSULATED TOOLS.

⚠ CAUTION

WEAR SAFETY GLASSES OR APPROVED EYE PROTECTION WHEN YOU DO THE SERVICING OF THE VEHICLE. WEAR A FULL FACE SHIELD AND RUBBER GLOVES WHEN NEAR BATTERIES.

BATTERY CLEANING

1. Apply an approved battery cleaner spray or water solution to the battery top and terminals.
Note: The water solution is 1 cup (237 ml) baking soda for each 1 gallon (3.8 l) water.
2. Use a soft bristle brush to clean the battery top and terminals. Remove all corrosion.
3. Use tap water to clean the solution from the batteries. Correctly discard the waste water.
4. If the battery cable has corrosion, have a trained technician replace the battery cable.
5. Make sure the battery cables are tight. If a battery cable is not tight, tighten the hardware to 41 lb·in (4.3 N·m).
6. Let the terminals dry.
7. Apply battery terminal protector spray to the terminals.

BATTERY CHARGING

JUMP START WITH BATTERY CHARGER

⚠ WARNING

FROZEN BATTERY ACID CAN CAUSE DAMAGE INCLUDING LEAKS AND EXPLOSIONS. IF THE BATTERY ACID FREEZES, REPLACE THE BATTERY BEFORE CHARGING OR USE. BATTERIES IN A LOW STATE OF CHARGE WILL FREEZE AT LOW TEMPERATURES. KEEP THE BATTERIES IN A HIGH STATE OF CHARGE.

⚠ CAUTION

WEAR SAFETY GLASSES OR APPROVED EYE PROTECTION WHEN YOU DO THE SERVICING OF THE VEHICLE. WEAR A FULL FACE SHIELD AND RUBBER GLOVES WHEN NEAR BATTERIES.

NOTICE

THE ALTERNATOR CAN BE DAMAGED IF THE ENGINE IS OPERATED WITH THE BATTERY CABLES DISCONNECTED OR IF THE BOOSTER CABLES ARE CONNECTED INCORRECT.

Before the vehicle is jump started:

- Only use an automotive-type 12-volt battery charger rated at 10 amps or less.
1. Disable the vehicle.
 2. Turn off all accessories.
 3. Follow the battery charger manufacturer's instructions and cautions.

BATTERY ELECTRICAL CONNECTION

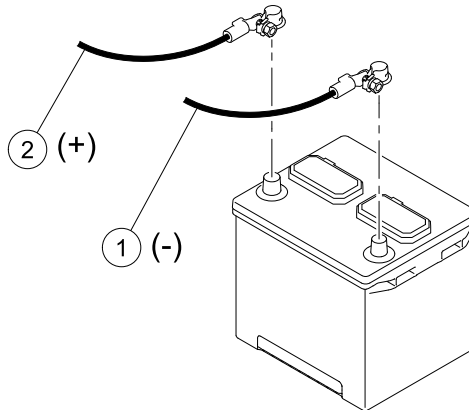
DISCONNECT THE BATTERY

Before the battery is disconnected:

- Disable the vehicle.

To disconnect the battery:

1. Disconnect the negative (-) cable (1).

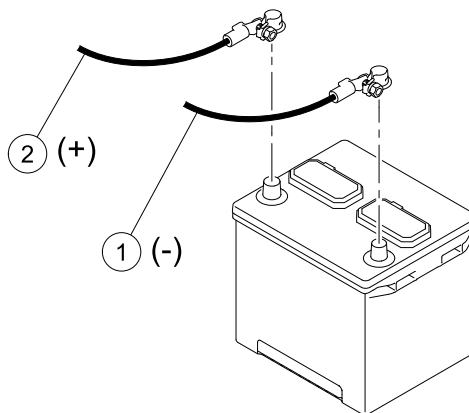


G-130798-000016

2. Disconnect the positive (+) cable (2).

CONNECT THE BATTERY

1. Connect the positive (+) cable (2).



G-130798-000016

2. Connect the negative (-) cable (1).

WARNING

LOOSE BATTERY WIRES CAN CAUSE A FIRE, PROPERTY DAMAGE, OR SERIOUS PERSONAL INJURY. MAKE SURE THAT ALL BATTERY WIRES AND TERMINALS ARE CLEAN AND TIGHTENED CORRECTLY.

3. Tighten the hardware to 41 lb·in (4.3 N·m).
4. Apply battery terminal protector spray to the battery terminals.

(Page intentionally left blank.)



9

TRANSPORT AND TOW

⚠ DANGER

DO NOT LET PASSENGERS RIDE IN THE VEHICLE OR TRAILER BEING TOWED.

⚠ WARNING

KEEP AWAY FROM THE AREA BETWEEN THE TOW VEHICLE AND THE TOWED VEHICLE OR TRAILER.

DO NOT TOW A CLUB CAR VEHICLE BEHIND A PASSENGER VEHICLE OR TRUCK ON A PUBLIC ROAD. ONLY TRANSPORT A CLUB CAR VEHICLE ON AN APPROVED TRAILER.

FUEL IS FLAMMABLE AND EXPLOSIVE. TURN THE FUEL SHUTOFF VALVE TO THE CLOSED (OFF) POSITION BEFORE TRANSPORTING THE VEHICLE.

⚠ CAUTION

THE VEHICLE CAN FALL OFF THE TRAILER AND CAUSE PROPERTY DAMAGE AND SERIOUS PERSONAL INJURY. MAKE SURE THE VEHICLE IS CORRECTLY SECURED TO THE TRAILER.

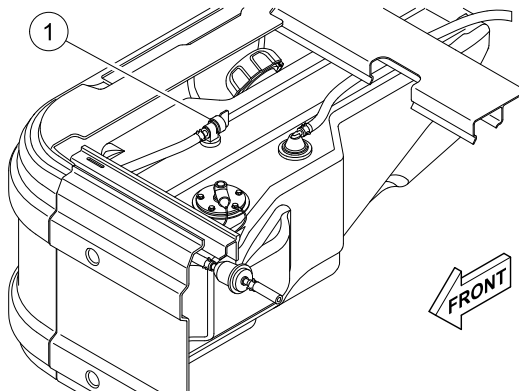
DO NOT PUT THE VEHICLE ON A TRAILER WITH A LOAD IN THE VEHICLE CARGO BED.

BEFORE TRANSPORTING THE VEHICLE ON A TRAILER, REMOVE THE WINDSHIELD. SECURE THE SEAT BOTTOM.

WHEN A TRAILER IS USED ON A PUBLIC ROAD, THE TRAILER MUST MEET ALL FEDERAL, STATE, AND LOCAL REQUIREMENTS SUCH AS TAILLIGHTS AND BRAKE LIGHTS.

PREPARE THE VEHICLE TO BE TOWED

1. Turn the key to OFF.
2. Remove the key. Keep the key in a safe area.
3. Set the Forward / Neutral / Reverse control (FNR) to N.
4. Turn the fuel shutoff valve (1) to OFF.



G-100598-000001

TOWING A TRAILER OR VEHICLE

CAUTION

USE EXTREME CAUTION WHEN TOWING A TRAILER OR VEHICLE. DO NOT MAKE SHARP TURNS WHEN TOWING A TRAILER OR VEHICLE. DO NOT TOW A TRAILER OR VEHICLE ON PUBLIC ROADS OR HIGHWAYS. DECREASE THE VEHICLE SPEED WHEN TOWING A TRAILER OR VEHICLE.

Use only a Club Car approved tow kit.

1. Prepare the vehicle to be towed.
2. Use a Club Car approved tow kit to tow the vehicle.
3. Tow the trailer or vehicle under 5 mph (8 km/h).

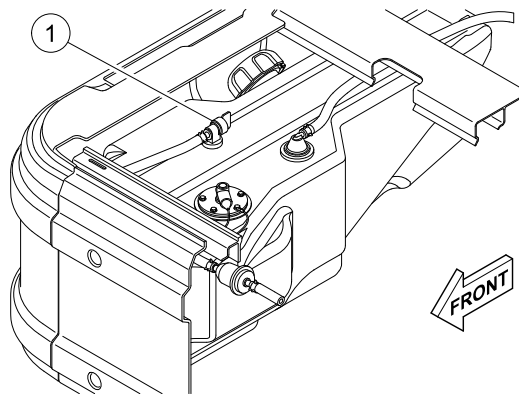
VEHICLE TRANSPORT PREPARATION

CAUTION

USE EXTREME CAUTION WHEN TRANSPORTING THE VEHICLE ON A TRAILER. REFER TO THE TOW VEHICLE OPERATOR MANUAL.

The vehicle is not designed to be towed at speeds over 5 mph. If movement over long distances or on public roads is necessary, transport the vehicle on a trailer. Use a trailer with appropriate load rating.

1. Set the park brake.
2. Set the Forward / Neutral / Reverse control (FNR) to N.
3. Turn the key to OFF.
4. Remove the key. Keep the key in a safe area.
5. Turn the fuel shutoff valve (1) to OFF.

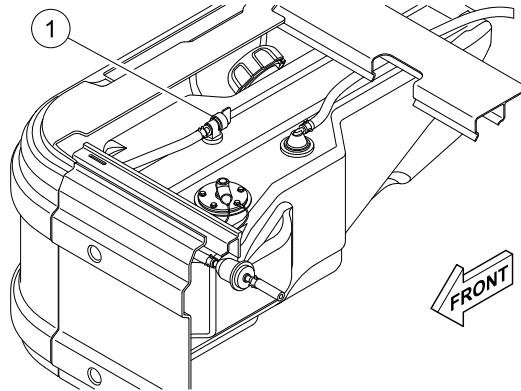


G-100598-000001

6. Remove all cargo from the vehicle.
7. Remove the windshield from the vehicle.
8. Secure all doors, access panels, seat bottoms, and windshield.
9. Examine the vehicle for loose parts. Tighten as necessary.
10. Secure the vehicle to the trailer.

VEHICLE TRANSPORT RECOVERY

1. Make sure that the trailer is correctly configured to remove the vehicle from the trailer safely.
2. Remove all materials used to secure the vehicle to the trailer.
3. Examine the vehicle for loose parts. Tighten as necessary.
4. Install the windshield.
5. Turn the fuel shutoff valve (1) to ON.



G-100598-000001



10

EXTENDED STORAGE

⚠ DANGER

FUEL IS FLAMMABLE AND EXPLOSIVE. DO NOT OPERATE THE VEHICLE WHEN FUEL IS SPILLED. CORRECTLY CLEAN THE SPILLED FUEL.

FUEL IS FLAMMABLE AND EXPLOSIVE. DO NOT DRAIN FUEL WHEN THE ENGINE IS ON.

FUEL IS FLAMMABLE AND EXPLOSIVE. KEEP THE FUEL IN AN APPROVED FUEL CONTAINER. KEEP THE FUEL CONTAINER IN A VENTILATED AREA AWAY FROM SPARKS AND HEAT SOURCES.

FUEL IS TOXIC. KEEP FUEL OUT OF REACH OF CHILDREN.

FUEL IS TOXIC. DO NOT SIPHON FUEL FROM THE VEHICLE.

⚠ WARNING

FROZEN BATTERY ACID CAN CAUSE DAMAGE INCLUDING LEAKS AND EXPLOSIONS. IF THE BATTERY ACID FREEZES, REPLACE THE BATTERY BEFORE CHARGING OR USE. BATTERIES IN A LOW STATE OF CHARGE WILL FREEZE AT LOW TEMPERATURES. KEEP THE BATTERIES IN A HIGH STATE OF CHARGE.

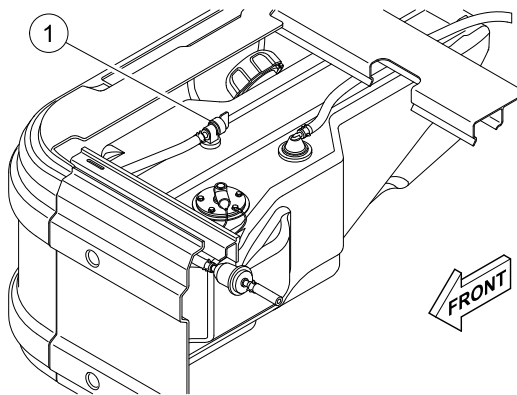
FUEL IS FLAMMABLE AND EXPLOSIVE. TURN THE FUEL SHUTOFF VALVE TO THE CLOSED (OFF) POSITION BEFORE EXTENDED STORAGE.

UNINTENDED VEHICLE OPERATION CAN CAUSE SERIOUS PERSONAL INJURY OR DEATH. BEFORE LEAVING THE VEHICLE OR DURING VEHICLE MAINTENANCE, DISABLE THE VEHICLE.

EXTENDED STORAGE PREPARATION

To prepare your vehicle for extended storage:

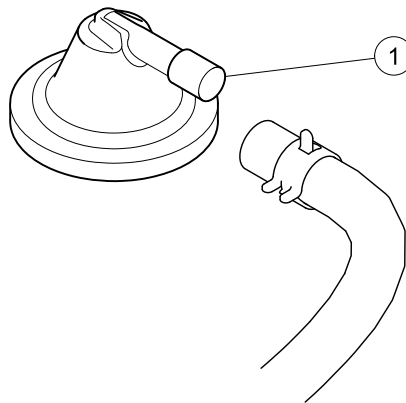
1. Examine the battery state of charge (SOC) condition. If the SOC is weak, charge the battery.
Note: Use an automotive-type 12-volt battery charger rated at 10-amps or less.
2. Turn the fuel shutoff valve (1) to OFF.



G-100598-000001

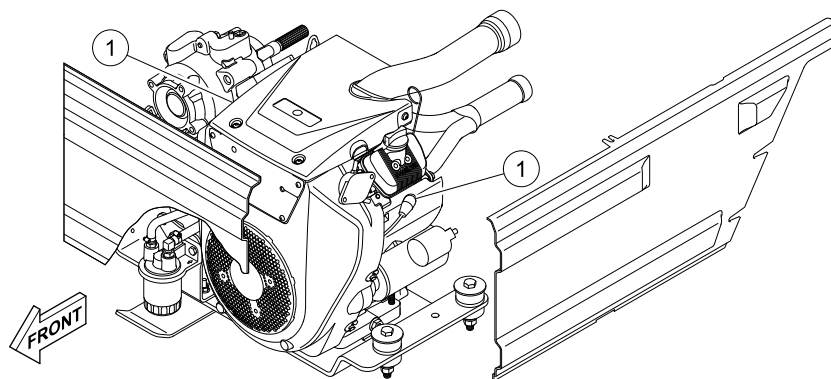
3. Turn off all electronic accessories.
4. Set the Forward / Neutral / Reverse control (FNR) to N.

5. Turn the key to OFF.
6. Remove the key. Keep the key in a safe area.
7. Put chocks against the wheels.
Note: Do not engage the park brake.
8. Remove all cargo and personal items.
9. Fill the fuel tank.
10. Add a fuel stabilizer. Refer to the fuel stabilizer manufacturer's instructions.
11. Disconnect the fuel vent line from the fuel tank vent nipple.
12. Plug the fuel tank vent nipple with a slip-on vinyl cap (1). Make sure that the connection is air tight.



G-100498-000004

13. Replace the engine oil.
14. Disconnect the battery.
15. Clean the battery.
16. Prepare the engine for extended storage:
 - 16.A Disconnect the spark plug wires (1).



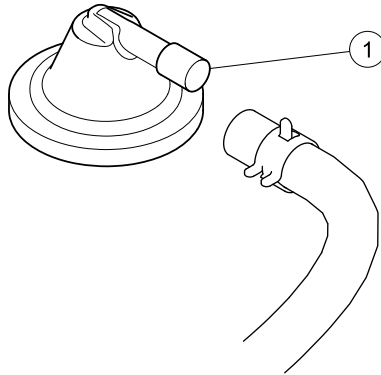
G-040798-000001

- 16.B Use a spark plug socket to remove the spark plug.
- 16.C Use a spark plug socket to remove the spark plugs.
- 16.D Put 0.5 fl-oz (14.2 ml) of SAE 10 weight oil into the spark plug hole.

- 16.E Turn the engine crankshaft by hand several times.
 - 16.F Apply a thin layer of high temperature anti-seize lubricant to the spark plug threads.
 - 16.G Use a spark plug socket to install and tighten the spark plugs to 16 lb·ft (22 N·m).
 - 16.H Connect the spark plug wires.
17. Keep the vehicle in a cool and dry area to keep battery self-discharge to a minimum.
 18. Adjust pressure in each tire to the recommended tire pressure.
Note: Go to the approved wheel and tire assemblies matrix on <http://www.clubcar.com> for information regarding tire type, inflation pressure, and lugnut torque.
 19. Clean the vehicle.

RETURN TO SERVICE FROM EXTENDED STORAGE

1. Clean the battery.
2. Connect the fuel system:
 - 2.A Remove and discard the slip-on vinyl cap (1) from the fuel tank vent nipple.



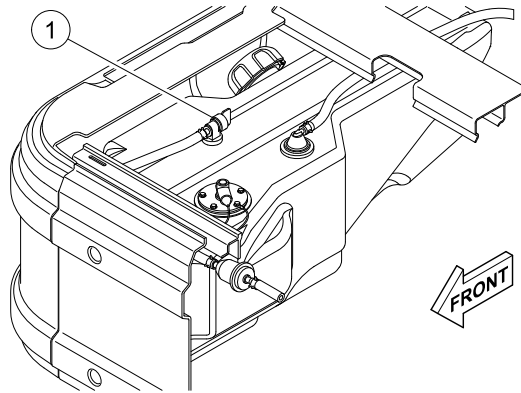
G-100498-000004

- 2.B Connect the vent tube to the fuel tank vent nipple.
3. Set the Forward / Neutral / Reverse control (FNR) to N.
4. Connect the battery.

NOTICE

A NOT FULLY OPEN FUEL SHUTOFF VALVE AND THE USE OF THE CHOKE CAN CAUSE SPARK PLUG AND ENGINE DAMAGE. MAKE SURE THAT THE VALVE IS FULLY OPEN.

5. Turn the fuel shutoff valve (1) to ON.



G-100598-000001

6. Start and run the engine.
Note: The engine exhaust may smoke for a short time after returning to service.
7. Adjust the pressure in each tire to the recommended tire pressure.
Note: Go to the approved wheel and tire assemblies matrix on <http://www.clubcar.com> for information regarding tire type, inflation pressure, and lugnut torque.
8. Have a trained technician lubricate the vehicle.
9. Do a daily pre-operation safety checklist.
10. Do a vehicle performance inspection.

(Page intentionally left blank.)



11

WARRANTIES

LIMITED WARRANTY**WARRANTY**

Club Car, LLC ("Club Car") hereby warrants to the original purchaser or lessee, as those terms are defined herein, and subject to the provisions, limitations and exclusions in this limited warranty, that its new vehicle or new component purchased from Club Car or an Authorized Dealer or Distributor shall be free from defects in material and workmanship under normal use and service for the periods stated below, subject to the provisions, limitations and exclusions in this limited warranty.

This limited warranty covers material, workmanship and repair labor cost as to those items specifically listed below for the periods specified. Such repair labor shall be performed only by Club Car, its Authorized Dealers or Distributors, or a service agency approved by Club Car. For repairs made by qualified technicians other than Club Car's factory technicians or an Authorized Dealer or Distributor, Club Car will provide only the replacement parts or components.

If the warranty registration form is not completed and returned to Club Car at the time of the original retail sale, the Purchaser must provide proof of date of purchase with any warranty claim.

WARRANTY TIMEFRAME

ITEM	SUB-ITEMS	COVERAGE
VEHICLE MAINFRAME	Not applicable	2 years / 2,000 hours
SUSPENSION	Steering gearbox, steering column, shocks, and leaf springs	1 year / 1,000 hours
POWERTRAIN	Engine, transaxle, torque converter (drive and driven)	2 years / 2,000 hours
GASOLINE SYSTEMS	Air intake system, exhaust system, and starter generator	1 year / 1,000 hours
PEDAL GROUP	Pedal group mechanical assembly, brake cluster assemblies, and brake cables	1 year / 1,000 hours
SEATS	Seat bottom, seat back, and armrests	1 year / 1,000 hours
CANOPY SYSTEM	Canopy, rear canopy supports, drainage system, and structural accessory module (SAM)	1 year / 1,000 hours
CAB ASSEMBLY	Cab assembly and doors (if equipped)	1 year / 1,000 hours
BODY GROUP	Body and dash panels	1 year / 1,000 hours
ALL REMAINING COMPONENTS	Solenoid, limit switches, voltage regulator, F&R switch, and options and accessories supplied by Club Car, including components not specified otherwise	1 year / 1,000 hours

EXCLUSIONS

Excluded from any Club Car warranty is damage to a vehicle or component resulting from a cause other than a defect including poor maintenance, neglect, abuse, accident and collision, maintenance adjustments, unreasonable or unintended strain or use, improper installation of accessories, installation of parts or accessories that are not original equipment including Club Car approved or non-approved GPS systems, non-approved alteration, and acts of God. Also excluded from any Club Car warranty are all fuses, filters, decals (except safety decals), lubricants, routine wear items such as engine mounts, bed floor lining, mats, pads, spark plugs, light bulbs, brake pads, belts, brushes, solenoids, bushings, drive buttons, cosmetic deterioration, and items that deteriorate, fade or fail due to exposure or ordinary wear and tear.

The provisions of this limited warranty shall not apply to failure due to the following conditions:

- Batteries
 - Improper charging of a vehicle due to the use of a battery charger model not approved by Club Car for use with the vehicle.
 - Use of any accessories that do not draw power off the complete system voltage.
 - Neglect, breakage, freezing, fire, explosion, wreckage, melted terminal posts, the addition of any chemical, or the operation of the battery in an uncharged condition (below half charge 1.200 specific gravity); the installation of the batteries in reverse or recharging in reverse, breakage of containers, covers, or terminal post, or batteries used in applications for which they were not designed.
 - A battery damaged by a defective charger or batteries in vehicles that do not receive proper charging.
 - A vehicle not having an operational charger on a circuit that has the parameters specified in the vehicle operator's manual (the number of operational chargers must equal the number of operational vehicles), or use of an unapproved algorithm.
- Lack of proper maintenance such as preventive maintenance checks, proper rotation of vehicles in a fleet application, maintaining proper tire pressure and alignment and tightening loose wire connections as outlined in the operator's manual.
- Damages caused by improper installation of the component.
- Failed semiconductor parts such diodes and fuses that are vulnerable to electrical overloads (including lightning) beyond the control of Club Car.
- Damaged charger AC and DC cord set with plug, which is a wear item and subject to user abuse.
- Use of gasoline containing more than 10 percent ethanol.

Without limiting the generality of the foregoing in any way, and as part of its limited warranty exclusion, Club Car does not warrant that its vehicle or components such as batteries, computer, controller or electrical device are suitable for use in any application other than in its products. As in the use of any vehicle, batteries, computer, controller or electrical device, a prudent owner will read and study the operator's manual, the operator instructions and the warning labels; and will exercise due care in working on or around vehicles, batteries or electrical devices.

Transportation expenses for warranty services are also excluded from this warranty.

VOIDING OF WARRANTY

This and any other warranty shall be void if the vehicle or component is damaged, involved in an accident, abused or used in an unintended manner or shows indications that it has been altered in any way, including, but not limited to, modification of the speed governor, braking system, steering, transaxle, or other operating systems of the car to cause it to perform outside club car specifications. The warranty is likewise void if the vehicle shows indications that reasonable or necessary

maintenance as outlined in the operator's manual and maintenance and service manual was not performed at the time and in the manner specified in such manuals.

SOLE REMEDY

Club Car's liability under this limited warranty or in any action whether based upon warranty, contract, negligence, strict product liability or otherwise, shall be the repair or replacement, at Club Car's option, of the vehicle or component thereof that Club Car deems to be defective. Replacement shall mean furnishing, during the applicable limited warranty period, a new vehicle or factory-reconditioned vehicle or component thereof that is identical or reasonably equivalent to the warranted product or component at no cost to the purchaser. Repair shall mean remedying a defect in the vehicle or component thereof at no cost to the purchaser during the applicable limited warranty period. Club Car reserves the right to test and recharge any component returned for adjustment. If Club Car elects to repair the vehicle or component, it may provide factory-reconditioned parts or components. All parts and components replaced under warranty shall become the property of Club Car.

DISCLAIMER

This limited warranty is exclusive. Club Car makes no other warranty of any kind, expressed or implied. Any implied warranties of merchantability or fitness for a particular purpose are hereby disclaimed by Club Car and excluded from this warranty. The Purchaser and Club Car expressly agree that the sole remedy of the replacement or repair of the defective vehicle or component thereof is the sole remedy of the Purchaser. Club Car makes no other representation or warranty of any kind, and no representative, employee, distributor or dealer of Club Car has the authority to make or imply any representation, promise or agreement, which in any way varies the terms of this warranty.

In the event that another pre-printed warranty document, certificate or both offered by or through Club Car at the time of sale of this vehicle (each an "Additional Warranty Document") is deemed to conflict with the limitations or exclusions contained herein, the limitations and exclusions contained herein shall continue to apply to both this limited warranty statement and, to the maximum extent permitted by law, to each Additional Warranty Document.

NO CONSEQUENTIAL DAMAGES

In no event shall Club Car be liable for any incidental or consequential damages including, but not limited to, loss related to property other than the vehicle, loss of use, loss of time, inconvenience, or any other economic loss.

Some states allow neither limitation on the duration of an implied warranty nor exclusions or limitation of incidental or consequential damages. Therefore, the above limitations or exclusions may not apply to you. This warranty gives you specific legal rights, and you may also have other rights, which vary from state to state.

HOW TO MAKE A WARRANTY CLAIM

To make a warranty claim under this limited warranty, you must present the vehicle or defective component with evidence of proof of purchase date and number of amp hours (if applicable) to an authorized Club Car dealer.

For warranty-related communication, contact:

E-mail

cci_warrantyadministration@clubcar.com

Postal Service

Club Car, LLC
Attention: Warranty Services
4125 Washington Rd.
Evans, Georgia 30809
United States Of America

FEDERAL EMISSIONS COMPONENT DEFECT WARRANTY

WARRANTY COVERAGE

This emission warranty is applicable in all States in the United States Of America, except the State of California.

Club Car, LLC ("Club Car") warrant(s) to the initial retail purchaser and each subsequent owner, that this Non-road engine ("engine") has been designed, built, and equipped to conform at the time of initial sale to all applicable regulations of the United States Of America Environmental Protection Agency (EPA), and that the engine is free of defects in materials and workmanship which would cause this engine to fail to conform with EPA regulations during its warranty period.

For the components listed under Parts Covered, the service dealer authorized by Club Car will, at no cost to you, make the necessary diagnosis, repair, or replacement necessary to ensure that the engine complies with applicable EPA regulations.

WARRANTY PERIOD

The warranty period for this engine begins on the date of sale to the initial purchaser and continues for a period of three years.

PARTS COVERED

Listed below are the parts covered by the Emission Components Defect Warranty. Some of the parts listed below may require scheduled maintenance and are warranted up to the first scheduled replacement point for that part.

EXHAUST EMISSIONS

- Fuel Metering System
 - Throttle Body, carburetor, and internal parts (and/or pressure regulator or fuel injection system)
 - Air/fuel ratio feedback and control system, if applicable
 - Cold start enrichment system, if applicable
 - Fuel pump and fuel pressure regulator
 - Fuel tank
 - Oil temperature sensor
- Air Induction System
 - Intake manifold, if applicable

- Air filter
- Ignition System
 - Spark plugs
 - Magneto or electronic ignition system
 - Spark advance/retard system, if applicable
- Catalyst or Thermal Reactor System
 - Exhaust Manifold, if applicable
- Miscellaneous Items Used in Above Systems
 - Electronic controls (ECU), if applicable
 - Hoses, belts, connectors, gaskets, brackets, clamps, accessories, and assemblies used in the above systems.

EVAPORATIVE EMISSIONS

- Fuel Line
- Fuel Line Fittings
- Clamps
- Fuel Tank
- Fuel Cap
- Vapor Hoses
- Carbon Canister
- Carbon Canister Mounting Brackets
- Air Cleaner Purge Port Connector

DISTRIBUTION CENTER

Replacement parts are provided to the market upon request by the customers. Replacement parts distribution center is located at:

Club Car, LLC
Attention: Service Parts Department
4125 Washington Road
Evans, Georgia 30809,
United States Of America

WARRANTY SERVICE

To obtain warranty service, take your engine to the nearest authorized Club Car service dealer. Bring your sales receipts indicating date of purchase for this engine. The service dealer authorized by Club Car will perform the necessary repairs or adjustments within a reasonable amount of time and furnish you with a copy of the repair order. All parts and accessories replaced under this warranty become the property of Club Car.

For owners located more than 100 miles from an authorized service center, the following will be provided to those applicable owners (excluding the states with high-altitude areas). Club Car will either:

- pay for the shipping costs of replacement parts to and from an authorized service center
- provide for a service technician to come to the owner to make the warranty repair
- pay for the repair to be made at a local non-authorized service center

WHAT IS NOT COVERED

- Conditions resulting from tampering, misuse, improper adjustment (unless they were made by the service dealer authorized by Club Car during a warranty repair), alteration, accident, failure to use the recommended fuel and oil, or not performing required maintenance services.
- The replacement parts used for required maintenance services.
- Consequential damages such as loss of time, inconvenience, loss of use of the engine or equipment, etc.
- Diagnosis and inspection charges that do not result in warranty-eligible service being performed.
- Any non-authorized replacement part, or malfunction of authorized parts due to use of non-authorized parts.

OWNER'S RESPONSIBILITIES

As the engine owner, you are responsible for the performance of the required maintenance listed in your operator's manual. Club Car recommends that you retain all receipts covering maintenance on your engine, but Club Car cannot deny warranty solely for the lack of receipts or for your failure to ensure the performance of all scheduled maintenance.

As the engine owner, you should however be aware that Club Car may deny warranty coverage if your engine or a part has failed due to abuse, neglect, improper maintenance or unapproved modifications.

You are responsible for presenting your engine to the nearest service dealer authorized by Club Car when a problem exists.

If you have any questions regarding your warranty rights and responsibilities, you should contact the Club Car customer service department at:

Club Car, LLC
Attention: Service Parts Department
4125 Washington Road
Evans, Georgia 30809,
United States Of America

THINGS TO KNOW ABOUT THE EMISSION CONTROL SYSTEM WARRANTY MAINTENANCE AND REPAIRS

You are responsible for the proper maintenance of the engine. You should keep all receipts and maintenance records covering the performance of regular maintenance in the event questions arise. These receipts and maintenance records should be transferred to each subsequent owner of the engine. Club Car reserves the right to deny warranty coverage if the engine has not been properly maintained. Warranty claims will not be denied, however, solely because of the lack of required maintenance or failure to keep maintenance records.

Maintenance, replacement or repair of emission control devices and systems may be performed by any repair establishment or individual; however, warranty repairs must be performed by a service dealer authorized by Club Car. The use of parts that are not equivalent in performance and durability to authorized parts may impair the effectiveness of the emission control system and may have a bearing on the outcome of a warranty claim.

If other than the parts authorized by Club Car are used for maintenance replacements or for the repair of components affecting emission control, you should assure yourself that such parts are warranted by their manufacturer to be equivalent to the parts authorized by Club Car in their performance and durability.

HOW TO MAKE A CLAIM

All repairs qualifying under this limited warranty must be performed by a service dealer authorized by Club Car. In the event that any emission-related part is found to be defective during the warranty period, you shall notify Club Car customer service department and you will be advised of the appropriate warranty service dealer or service providers where the warranty repair can be performed.

CALIFORNIA EVAPORATIVE EMISSION CONTROL WARRANTY STATEMENT

YOUR WARRANTY RIGHTS AND OBLIGATIONS

The California Air Resources Board ("CARB") and Club Car, LLC ("Club Car") are pleased to explain the emission control system warranty on your model year 2019 vehicle engine (the "emission warranty"). In California, new equipment that uses small off-road engines ("SORE") must be designed, built and equipped to meet the State's stringent anti-smog standards. Club Car must warrant the evaporative emission control system on your vehicle engine for the period listed below provided there has been no abuse, neglect or improper maintenance of your small off-road engine leading to the failure of the evaporative emission control system.

Your evaporative emission control system may include parts such as a carburetor or fuel-injection system, fuel tanks, fuel lines (for liquid fuel and fuel vapors), fuel caps, valves, canisters, filters, clamps, connectors, and other associated components.

MANUFACTURER'S WARRANTY COVERAGE

This evaporative emission control system is warranted for two years. If any evaporative emission-related part on your Club Car small off-road engines ("SORE") is defective, the part will be repaired or replaced by Club Car.

OWNER'S WARRANTY RESPONSIBILITIES

- As the vehicle engine owner, you are responsible for the performance of the required maintenance listed in your operator's manual. Club Car recommends that you retain all receipts covering maintenance on your vehicle engine, but Club Car cannot deny warranty coverage solely for the lack of receipts.
- As the vehicle engine owner, you should be aware that Club Car may deny you warranty coverage if your vehicle engine or a part has failed due to abuse, neglect, improper maintenance or unapproved modifications.
- You are responsible for presenting your vehicle engine to a Club Car distribution center or service center as soon as a problem exists. The warranty repairs shall be completed in a reasonable amount of time, not to exceed 30 days. If you have any questions regarding your warranty coverage, you should contact:

E-mail

cci_warrantyadministration@clubcar.com

Postal Service

Club Car, LLC
Attention: Warranty Services
4125 Washington Rd.
Evans, Georgia 30809
United States Of America

DEFECTS WARRANTY COVERAGE

Club Car warrants to the ultimate purchaser and each subsequent purchaser that the small off-road engines ("SORE") and related evaporative emissions control equipment is designed, built and equipped so as to conform with all applicable California environmental emission regulations; and free from defects in materials and workmanship that cause the failure of a warranted part to be identical in all material respects to that part as described in Club Car's application for certification with CARB. The warranty period begins on the date the engine or equipment is delivered to an ultimate purchaser or first placed into service. The warranty period is two years from the date of purchase.

Subject to certain conditions and exclusions as stated below, the warranty on emission-related parts is as follows:

1. Any warranted part that is not scheduled for replacement as required maintenance in the written instructions supplied, is warranted for the warranty period stated above. If the part fails during the period of warranty coverage, the part will be repaired or replaced by Club Car according to subsection (4) below. Any such part repaired or replaced under warranty will be warranted for the remainder of the original warranty period.
2. Any warranted part that is scheduled only for regular inspection in the written instructions supplied is warranted for the warranty period stated above. Any such part repaired or replaced under warranty will be warranted for the remaining original warranty period.
3. Any warranted part that is scheduled for replacement as required maintenance in the written instructions supplied is warranted for the period of time before the first scheduled replacement date for that part. If the part fails before the first scheduled replacement, the part will be repaired or replaced by Club Car according to subsection (4) below. Any such part repaired or replaced under warranty will be warranted for the remainder of the period prior to the first scheduled replacement point for the part.
4. Repair or replacement of any warranted part under the warranty provisions herein must be performed at a warranty station* at no charge to the owner.
5. Notwithstanding the provisions herein, warranty services or repairs will be provided at all of our distribution centers that are franchised to service the subject engines or equipment.
6. The engine or equipment owner will not be charged for diagnostic labor that is directly associated with diagnosis of a defective, emission-related warranted part, provided that such diagnostic work is performed at a warranty station.
Note: Warranty station could be Club Car, its authorized dealers, or a service agency approved by Club Car.
7. Club Car is liable for damages to other engine or equipment components proximately caused by a covered failure under warranty of any warranted part.
8. Throughout the engine or equipment warranty period stated above, Club Car will maintain a supply of warranted parts sufficient to meet the expected demand for such parts.

9. Any replacement part may be used in the performance of any warranty maintenance or repairs and must be provided without charge to the owner. Such use will not reduce the warranty obligations of Club Car.
10. Add-on or modified parts that are not exempted by the Air Resources Board may not be used. The use of any non-exempted add-on or modified parts by the ultimate purchaser will be grounds for disallowing warranty claims. Club Car will not be liable to warrant failures of warranted parts caused by the use of a non-exempted add-on or modified part.

EVAPORATIVE EMISSIONS WARRANTY PARTS LIST

The repair or replacement of any warranted part otherwise eligible for warranty coverage may be excluded from such warranty coverage if Club Car demonstrates that the engine or equipment has been abused, neglected, or improperly maintained, and that such abuse, neglect, or improper maintenance was the direct cause of the need for repair or replacement of the part. That notwithstanding, any adjustment of a component that has a factory installed, and properly operating, adjustment limiting device is still eligible for warranty coverage. The following emission warranty parts are covered:

Note: Evaporative emission-related parts will vary between vehicles; therefore, certain vehicles may not include all of the listed parts or may include equivalent part

- Fuel tank
- Fuel cap
- Fuel lines (for liquid fuel and fuel vapors)
- Fuel line fittings
- Fuel metering carburetor assembly
- Fuel regulator/filter
- Fuel injection pump
- Fuel injection nozzle
- Fuel tank vent hose
- Fuel tank rollover valve
- Fuel tank anti-slosh valve
- Throttle body assembly
- Intake air filter housing
- Intake air filter
- Intake hose
- Carbon canister, canister mounting brackets
- Crankcase breather tube
- PCV valve
- Oil filler cap
- Purge hose
- Purge valves
- Purge port connector

-
- Valves, hosing, tubing, fittings, seals, gaskets, clamps, and fittings as they relate to the evaporative emissions control system.

(Page intentionally left blank.)

(Page intentionally left blank.)

Publication Part Number TPCC01RC00EN019

Edition Code C



Club Car, LLC
P.O. Box 204658
Augusta, GA 30917-4658
USA

Web www.clubcar.com
Phone 1 706 258 2225
1 800 ClubCar
Fax 1 706 863 5858